

GROUP 2

BODY DIMENSIONS

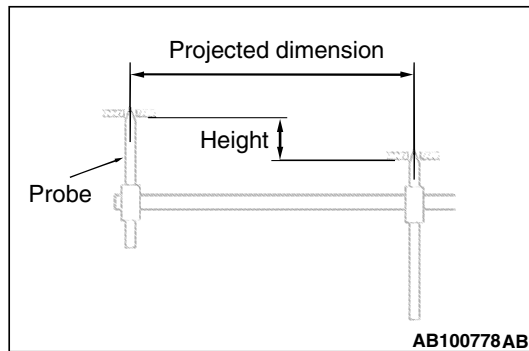
CONTENTS

BODY DIMENSIONS AND MEASUREMENT METHODS	2-3	INTERIOR <SEDAN>	2-18
TYPE A (PROJECTED DIMENSIONS)	2-4	TYPE A (PROJECTED DIMENSIONS)	2-21
UNDER BODY <SEDAN>.....	2-4	UNDER BODY <WAGON>	2-21
SUSPENSION INSTALLATION DIMENSIONS <SEDAN>	2-6	SUSPENSION INSTALLATION DIMENSIONS <WAGON>.....	2-23
TYPE B (ACTUAL-MEASUREMENT DIMENSIONS)	2-8	TYPE B (ACTUAL-MEASUREMENT DIMENSIONS)	2-25
UNDER BODY <SEDAN>.....	2-8	UNDER BODY <WAGON>	2-25
SUSPENSION INSTALLATION DIMENSIONS <SEDAN>	2-10	SUSPENSION INSTALLATION DIMENSIONS <WAGON>.....	2-27
FRONT BODY <SEDAN>.....	2-12	FRONT BODY <WAGON>	2-29
SIDE BODY <SEDAN>.....	2-14	SIDE BODY <WAGON>	2-31
REAR BODY <SEDAN>.....	2-16	REAR BODY <WAGON>	2-32
		INTERIOR <WAGON>	2-34

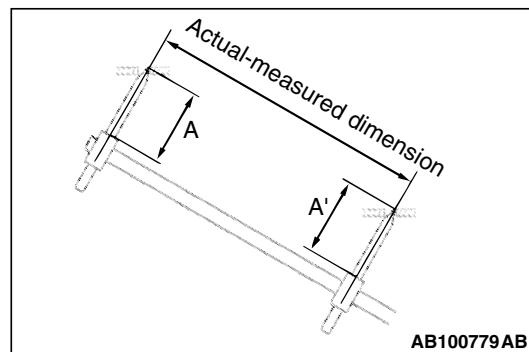
NOTES

BODY DIMENSIONS AND MEASUREMENT METHODS

M4020001000147



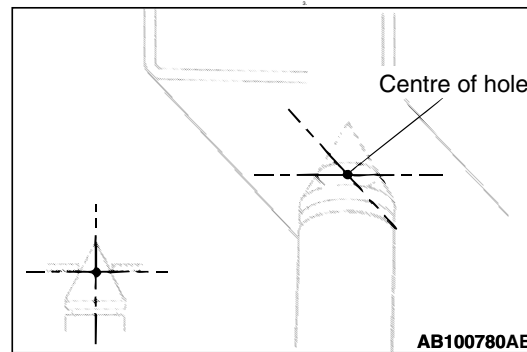
1. Type A (projected dimensions)
Indicates the dimension when a measurement location is projected onto the plane.
The difference in height of the measurement points should be taken into consideration when measuring.



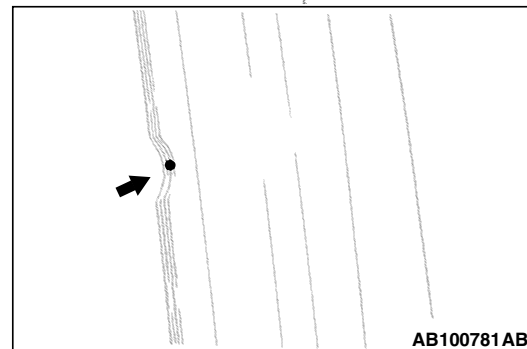
2. Type B (actual-measurement dimensions)
Indicates the actual distance between the measurement points.
Measure using a tracking gauge or a measuring tape, etc.

NOTE:

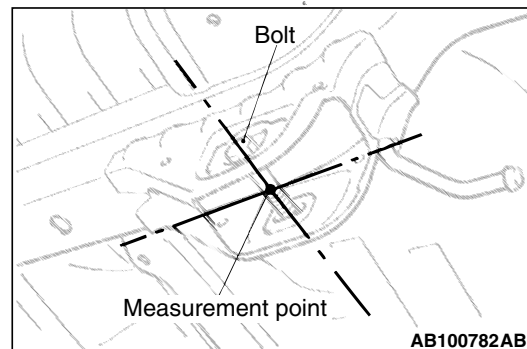
- Make the lengths of the tracking gauge probes the same ($A=A'$).
- Do not bend or twist the measuring tape.



3. Insert the tracking gauge probes securely into the measurement holes.
4. When the standard dimensions in the illustration are enclosed by oblong, this indicates that the symmetrical left and right positions have the same dimensions.



5. When using a notch for dimension measurement, set the measuring point at the centre of the notch.



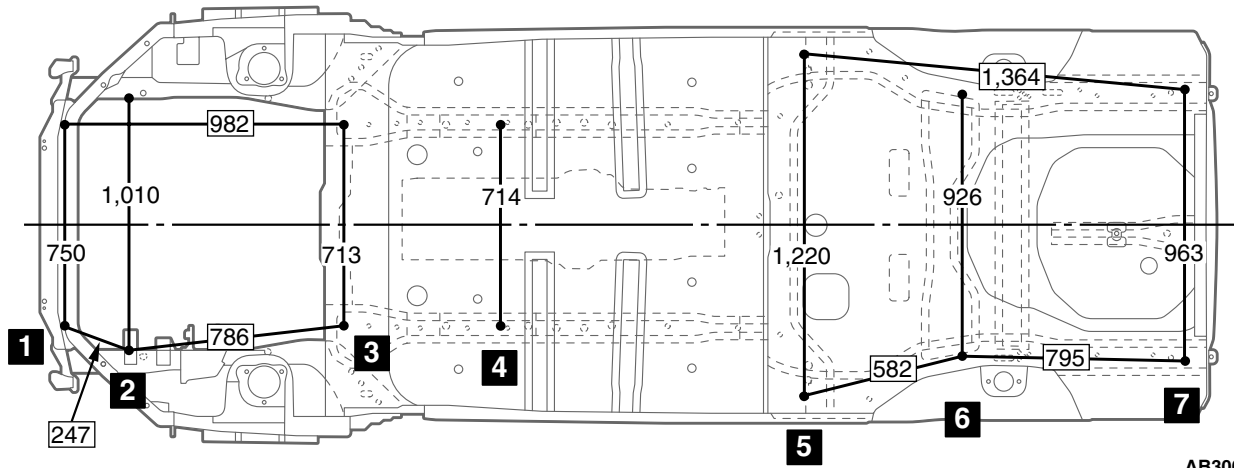
6. When measuring the suspension mounting arm, or link mounting position, use the suspension mounting bolt, etc. (Type B only)
7. The body centre points are shown for the purpose of checking the position of the left and right symmetry location.

TYPE A (PROJECTED DIMENSIONS)

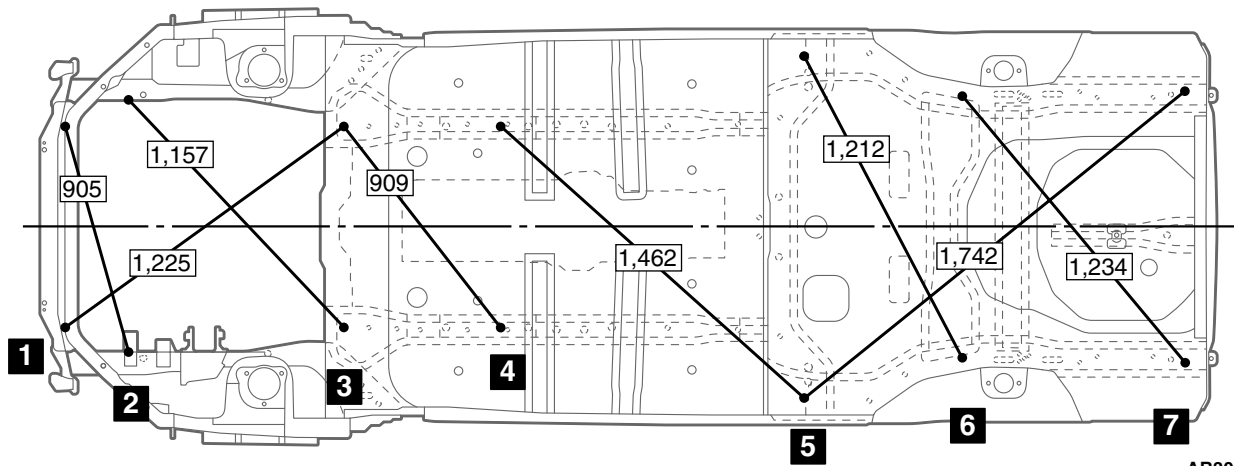
UNDER BODY <SEDAN>

M4020005000279

mm



AB300566AB



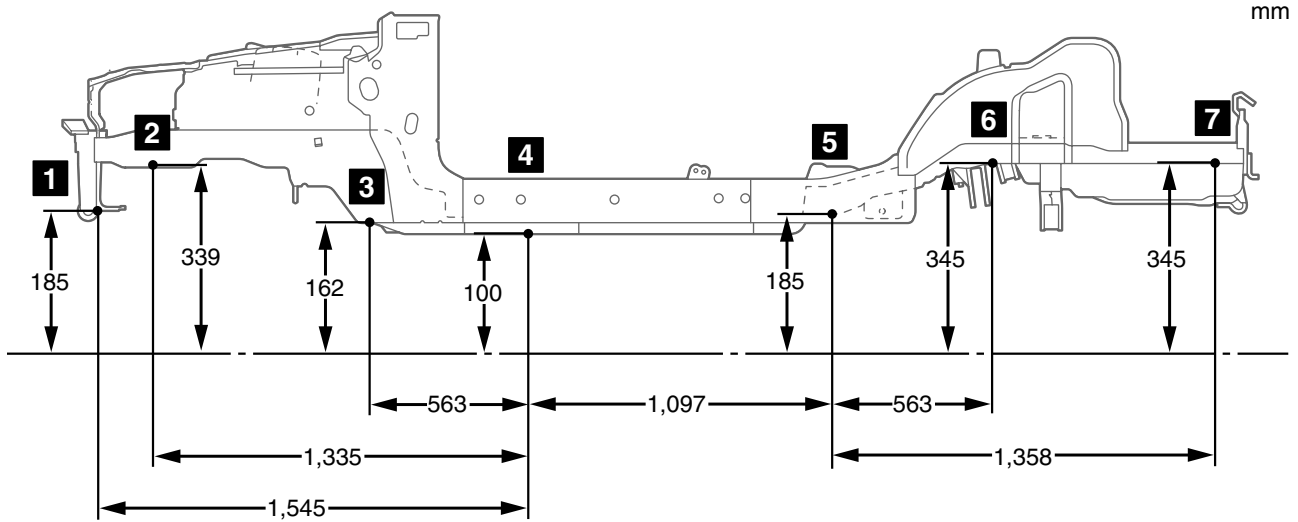
AB300567AB

No.	Standard measurement point	Hole shape	Size mm
1*	Centre of under cover mounting hole	Round	8
2	Front sidemember inner notch	-	-
3*	Centre of front crossmember mounting hole	Round	18
4*	Centre of front floor sidemember positioning hole	Round	25
5*	Centre of rear seat crossmember side water draining hole	Oblong	22 × 38
6	Centre of rear floor sidemember water draining hole	Round	16
7*	Centre of trailer bar mounting hole	Round	15

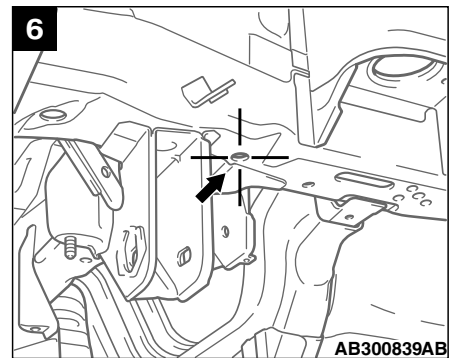
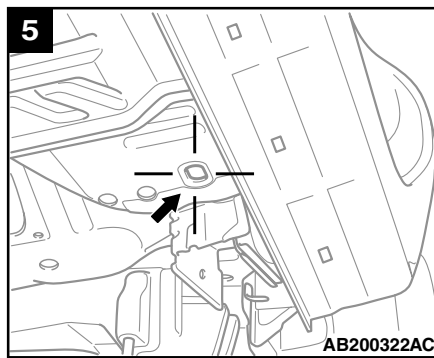
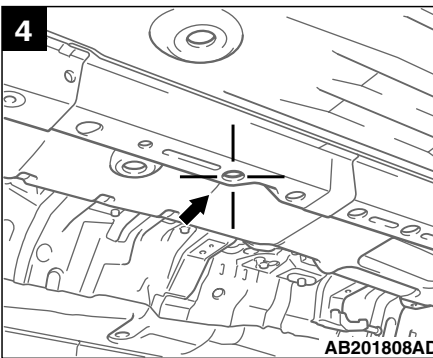
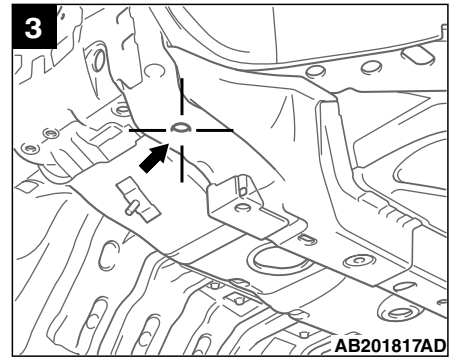
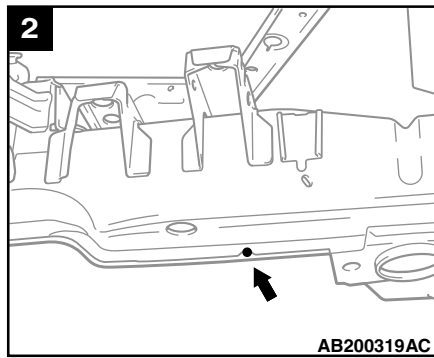
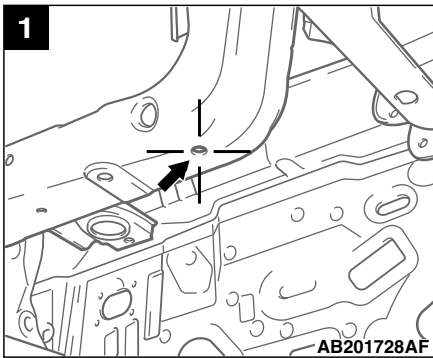
NOTE: The * mark indicates the mounting position for the frame centering gauge.

**BODY DIMENSIONS
TYPE A (PROJECTED DIMENSIONS)**

2-5



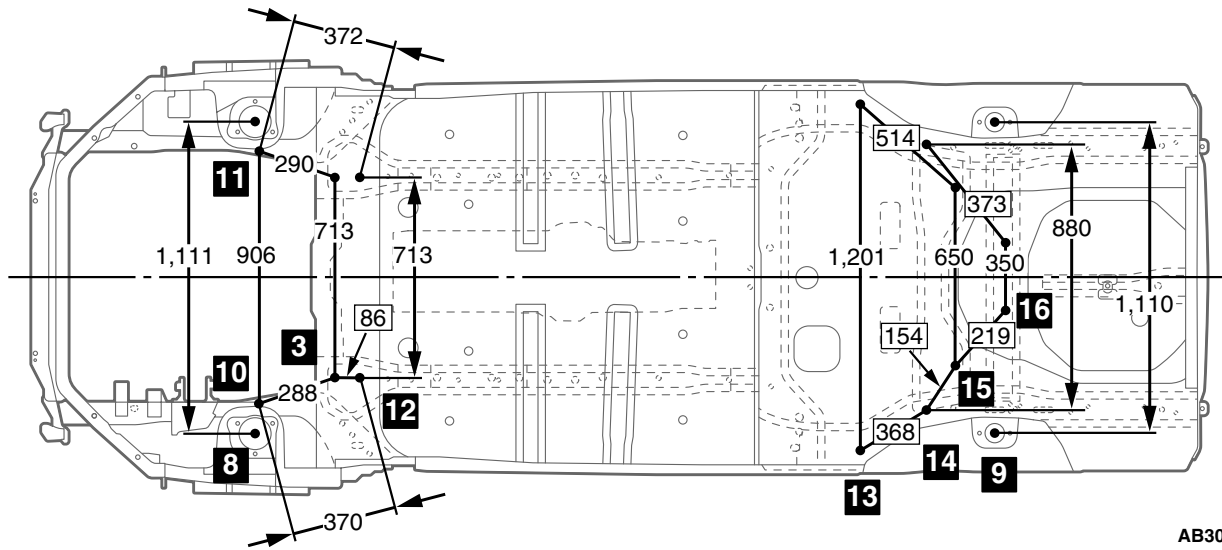
AB300618 AB



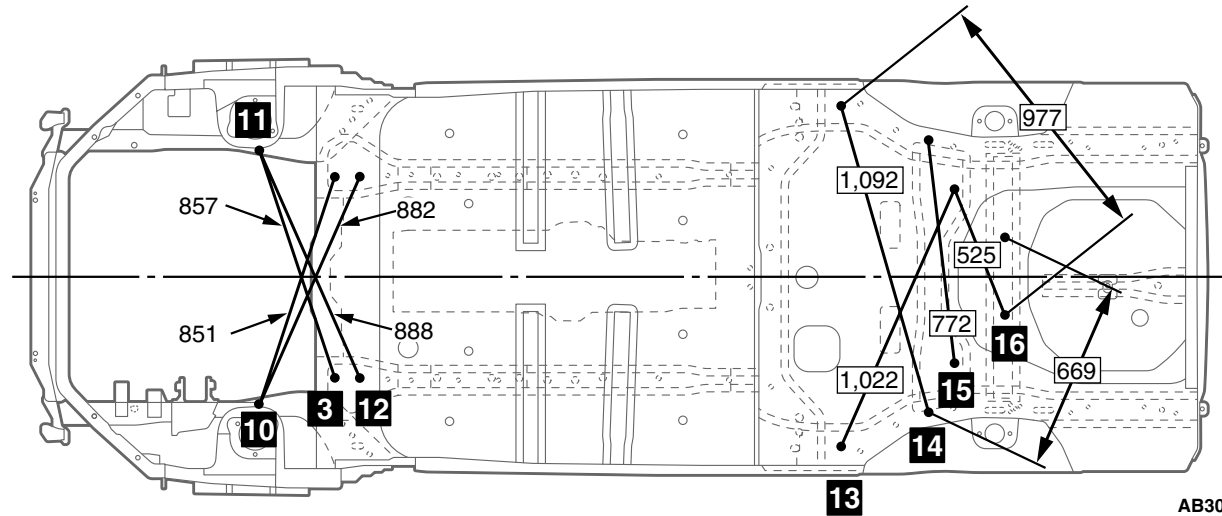
SUSPENSION INSTALLATION
DIMENSIONS <SEDAN>

M4020013000263

mm



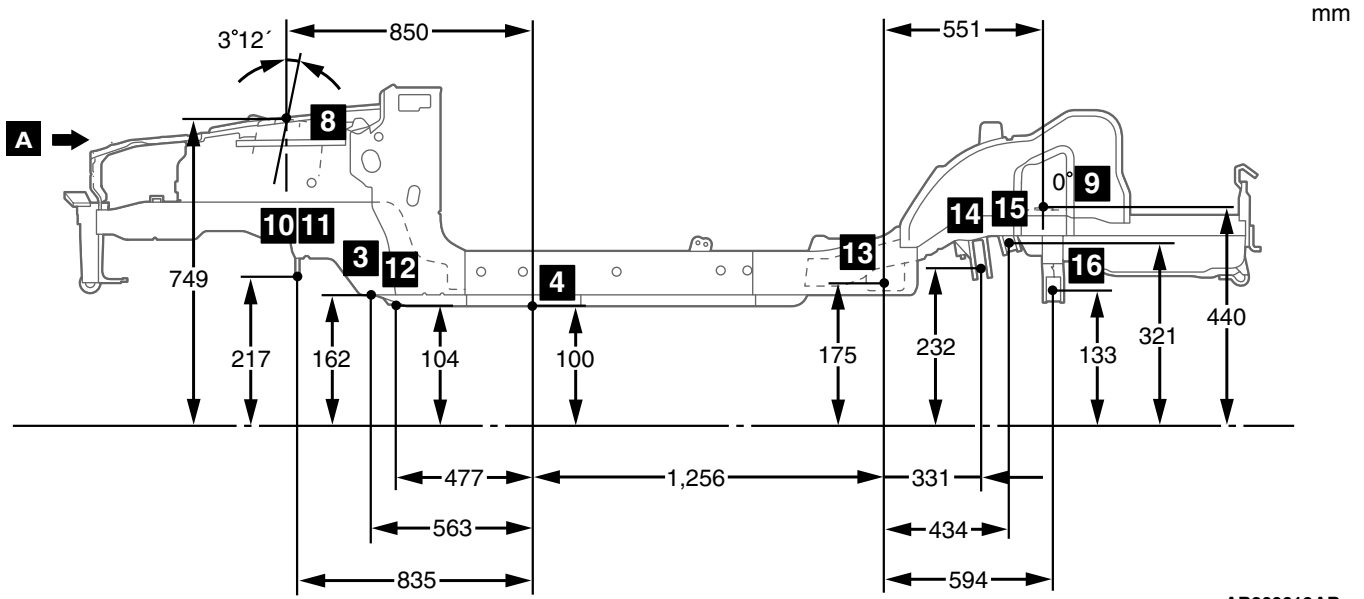
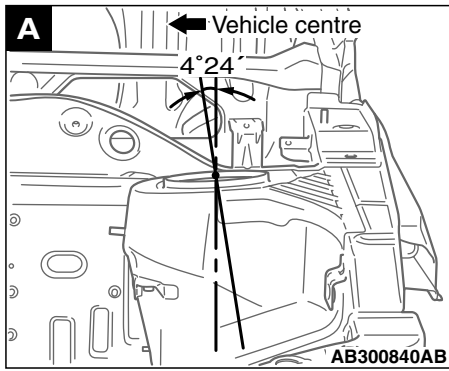
AB300568AB



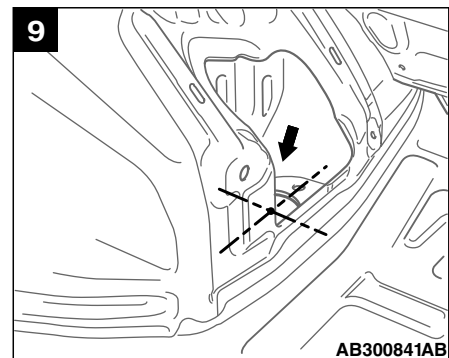
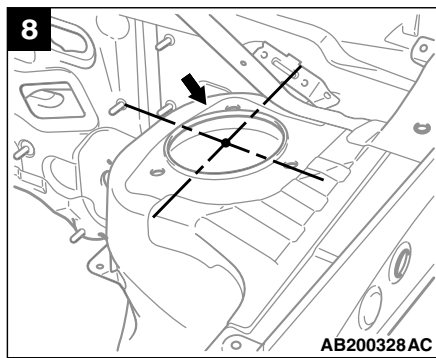
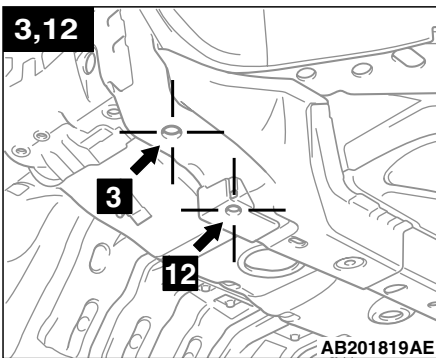
AB300569AB

No.	Standard measurement point	Hole shape	Size mm
3	Centre of front crossmember mounting hole	Round	18
4	Centre of front floor sidemember positioning hole	Round	25
8	Centre of front shock absorber mounting hole	Round	114
9	Centre of rear shock absorber mounting hole	Round	64
10	Tip of front crossmember mounting bolt (left)	-	-
11	Tip of front crossmember mounting bolt (right)	-	-
12	Centre of front crossmember mounting hole	Round	11
13	Centre of trailing arm mounting position	-	-
14	Centre of control link mounting hole	-	-
15	Centre of upper arm mounting position	-	-
16	Centre of lower arm mounting position	-	-

**BODY DIMENSIONS
TYPE A (PROJECTED DIMENSIONS)**



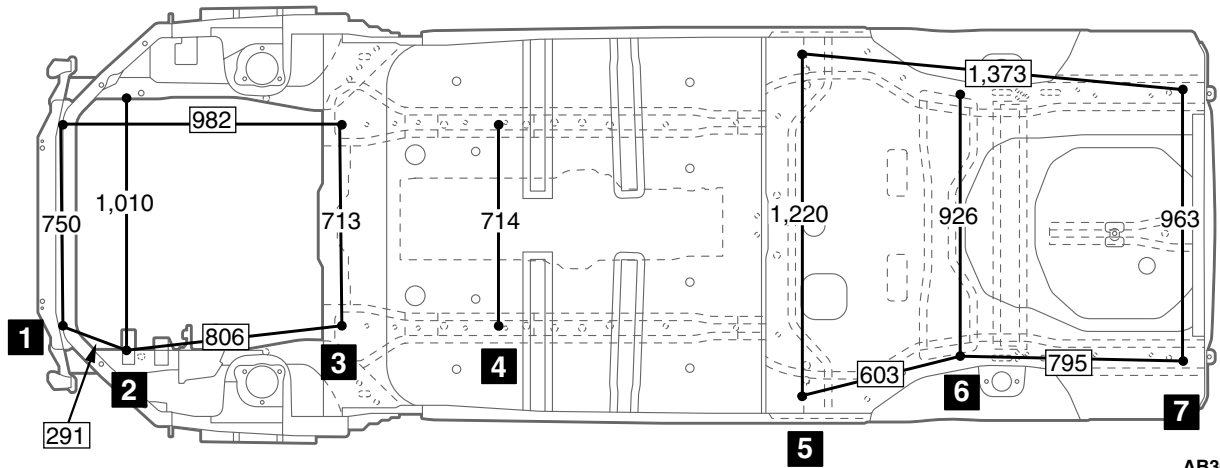
AB300619AB



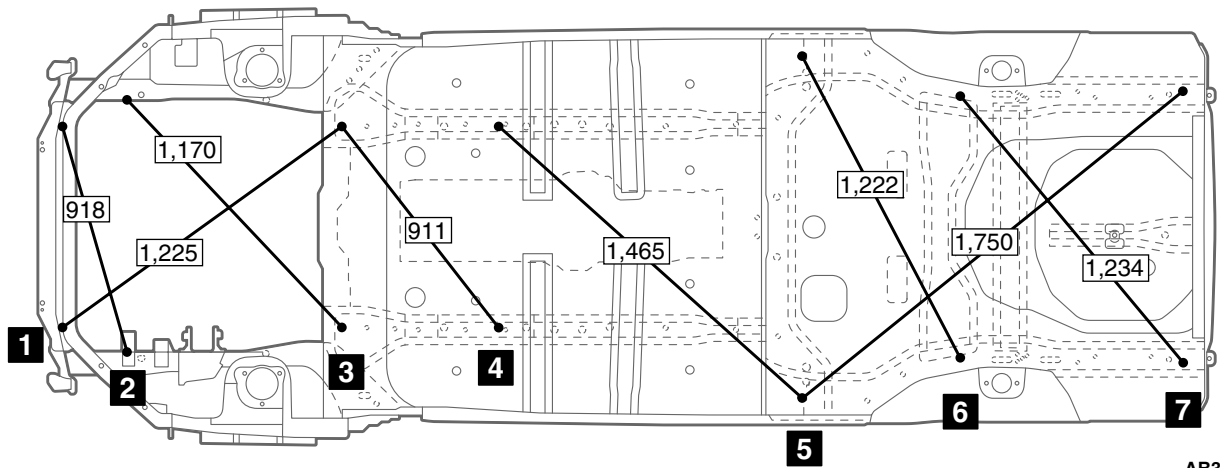
TYPE B (ACTUAL-MEASUREMENT DIMENSIONS)
UNDER BODY <SEDAN>

M4020005000280

mm



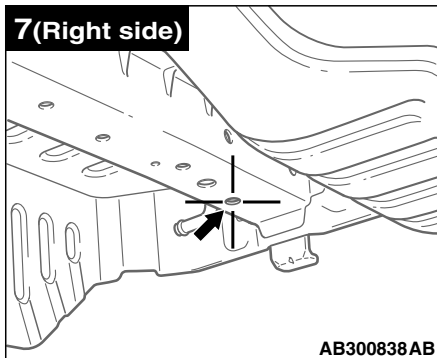
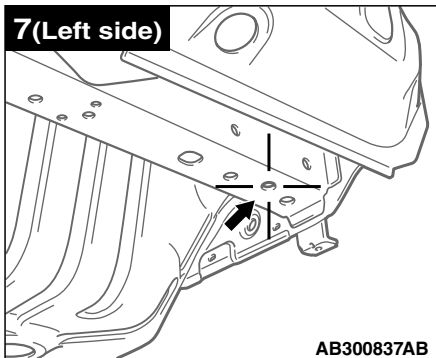
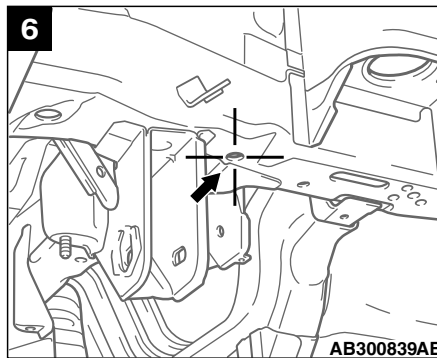
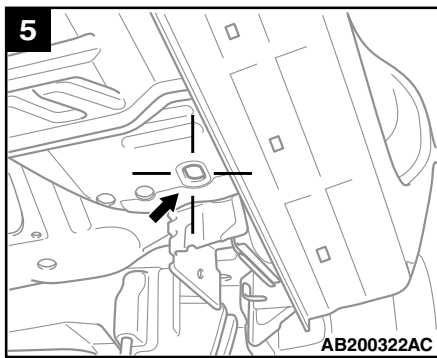
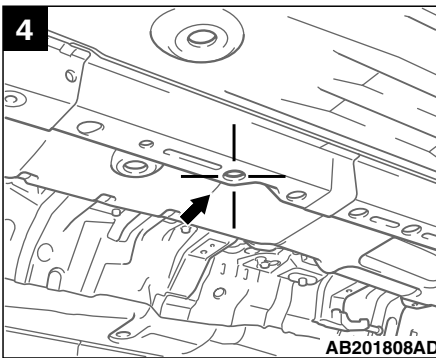
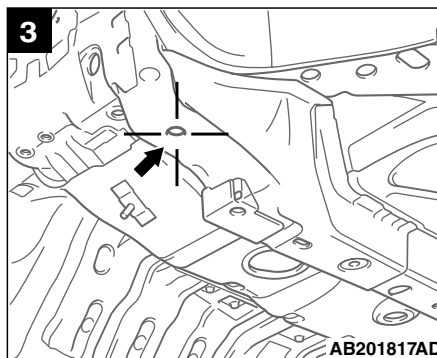
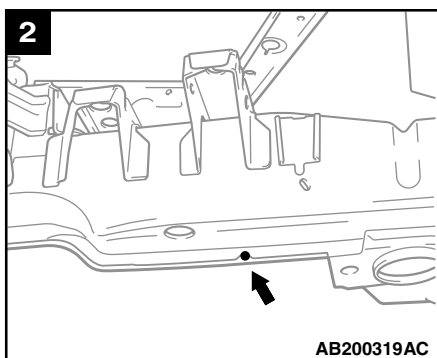
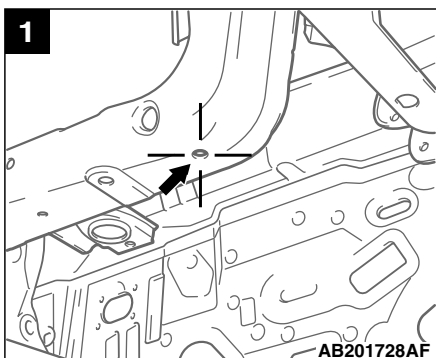
AB300570AB



AB300571AB

No.	Standard measurement point	Hole shape	Size mm
1	Centre of under cover mounting hole	Round	8
2	Front sidemember inner notch	-	-
3	Centre of front crossmember mounting hole	Round	18
4	Centre of front floor sidemember positioning hole	Round	25
5	Centre of rear seat crossmember side water draining hole	Oblong	22 × 38
6	Centre of rear floor sidemember water draining hole	Round	16
7	Centre of trailer bar mounting hole	Round	15

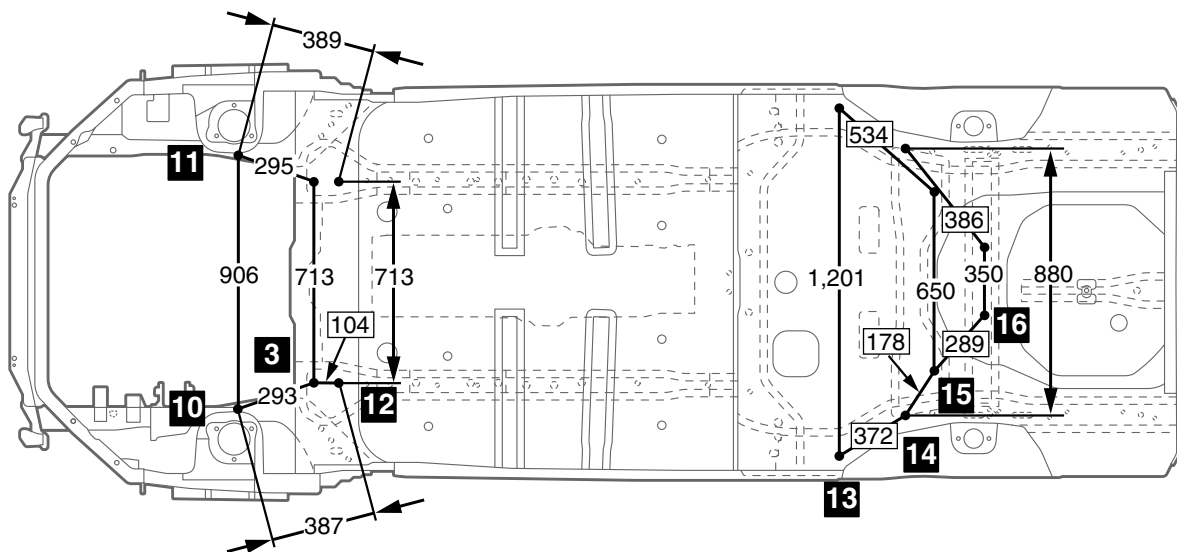
BODY DIMENSIONS
TYPE B (ACTUAL-MEASUREMENT DIMENSIONS)



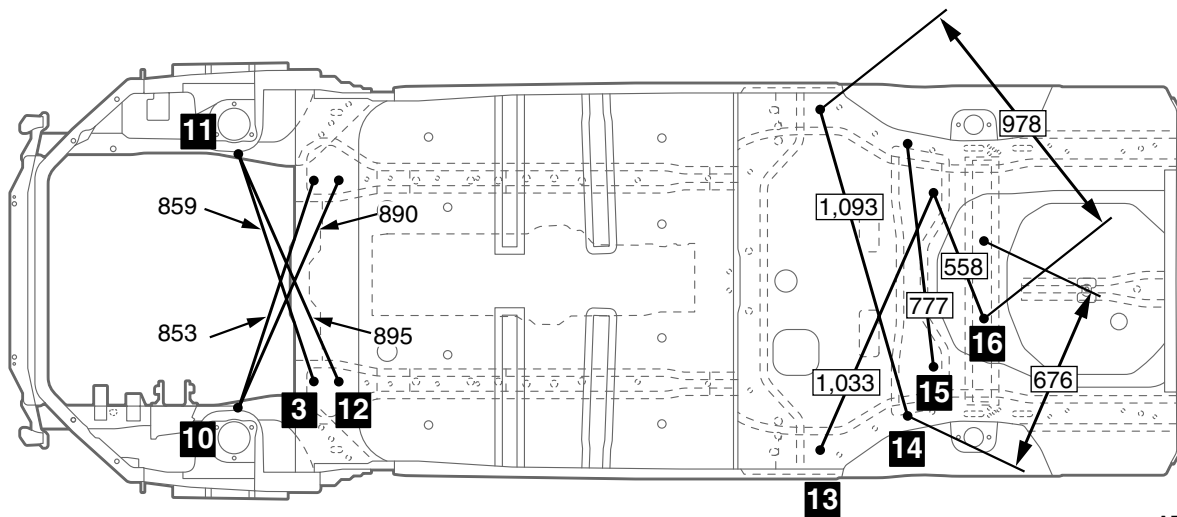
SUSPENSION INSTALLATION
DIMENSIONS <SEDAN>

M4020013000274

mm

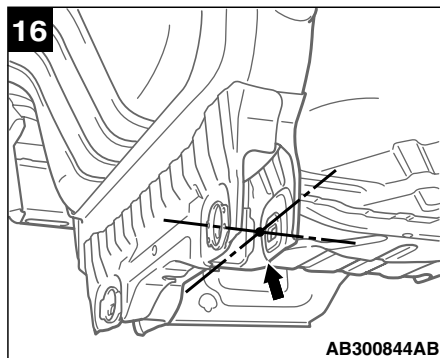
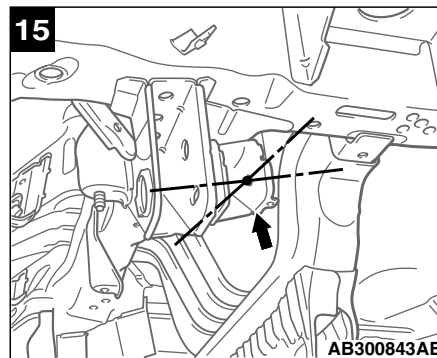
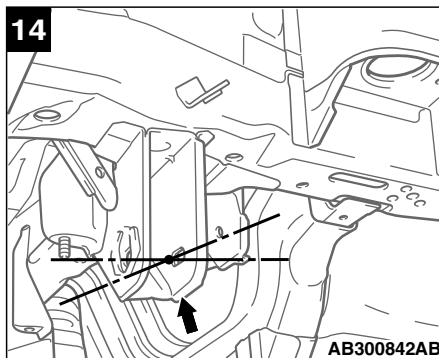
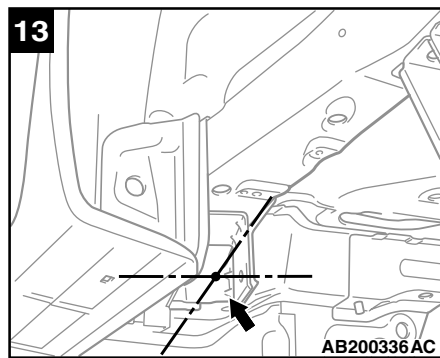
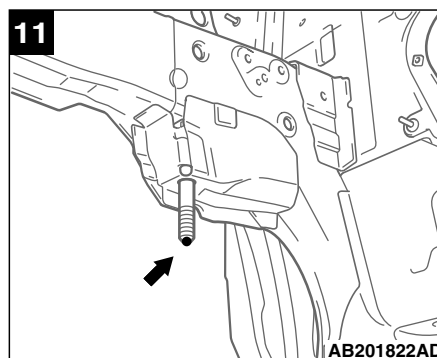
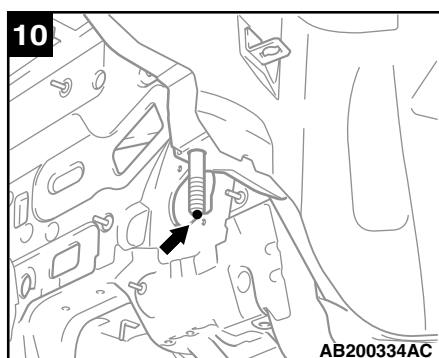
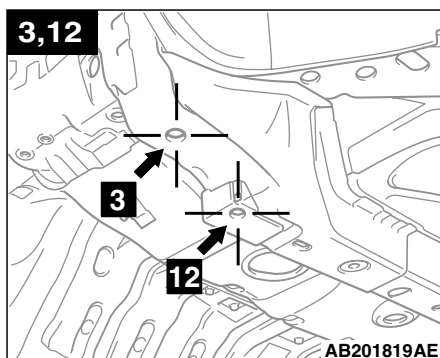


AB300572AB

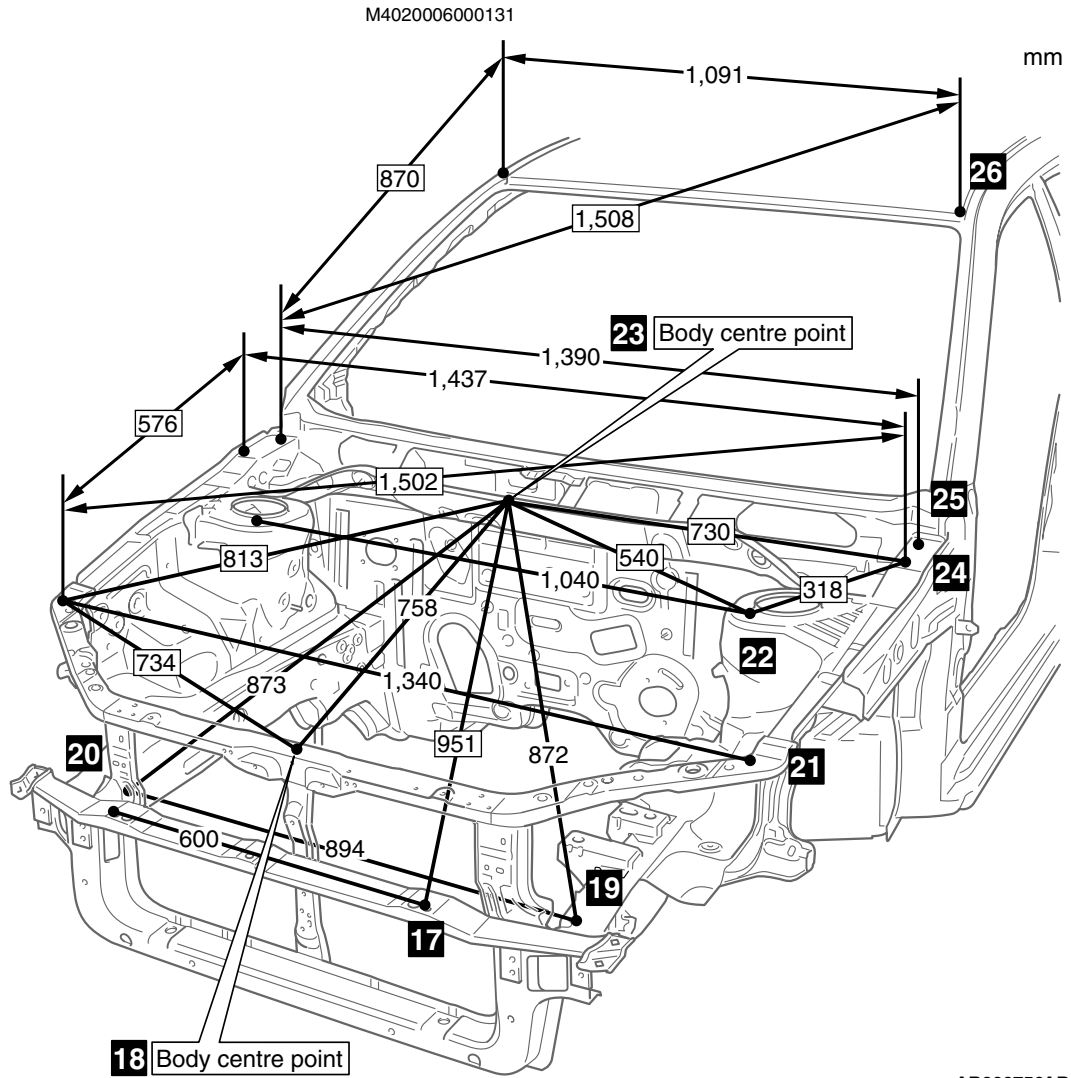


AB300573AB

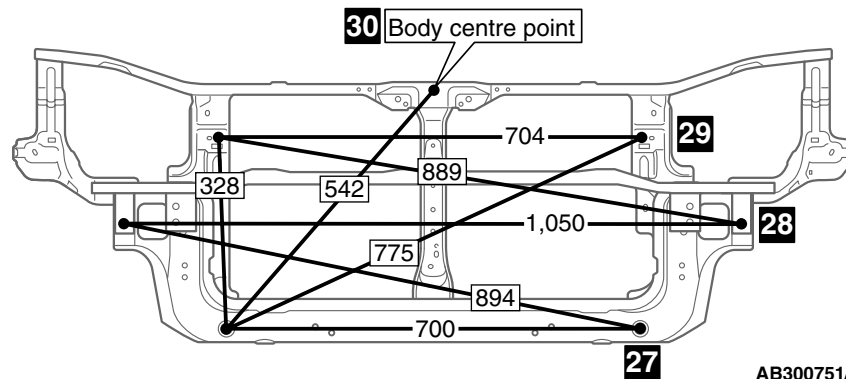
No.	Standard measurement point	Hole shape	Size mm
3	Centre of front crossmember mounting hole	Round	18
10	Tip of front crossmember mounting bolt (left)	—	—
11	Tip of front crossmember mounting bolt (right)	—	—
12	Centre of front crossmember mounting hole	Round	11
13	Centre of trailing arm mounting position	Round	11
14	Centre of control link mounting position	—	—
15	Centre of upper arm mounting position	—	—
16	Centre of lower arm mounting position	—	—



FRONT BODY <SEDAN>

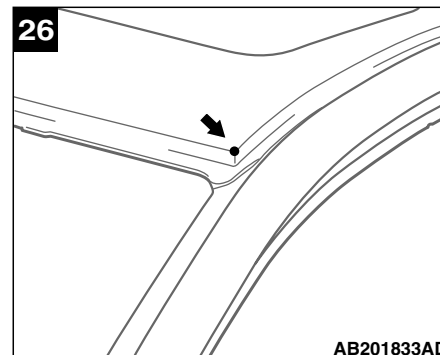
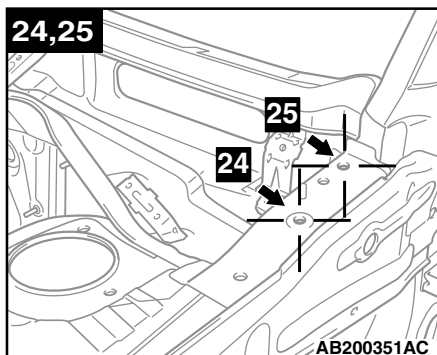
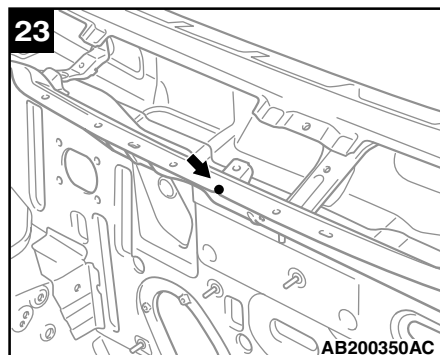
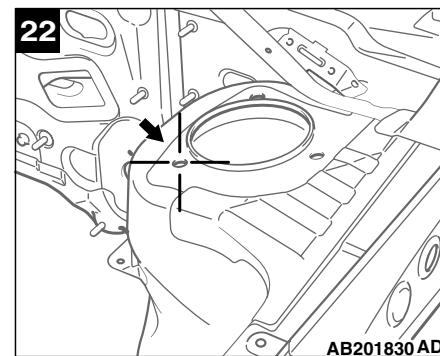
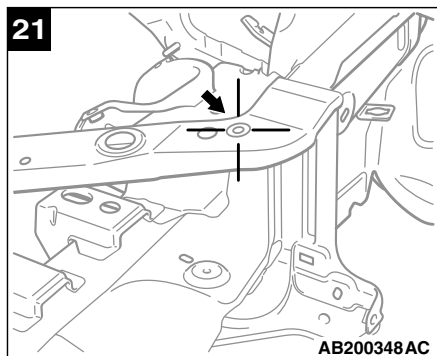
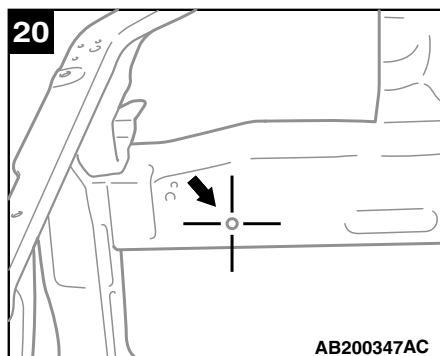
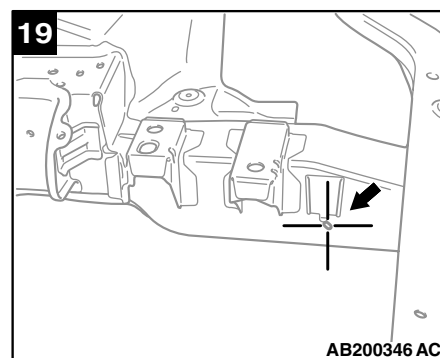
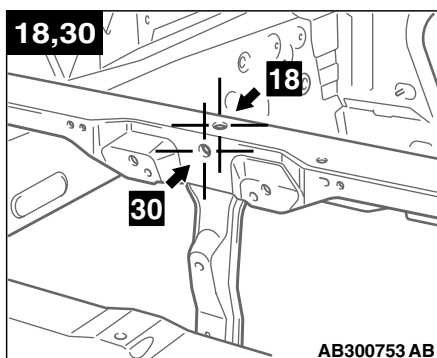
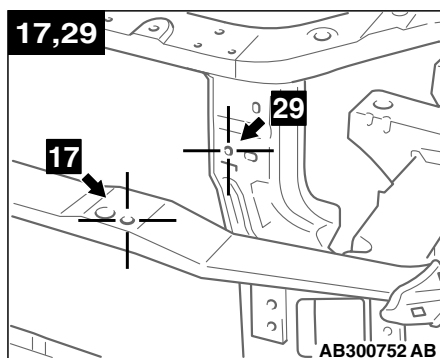


AB300750AB



AB300751AB

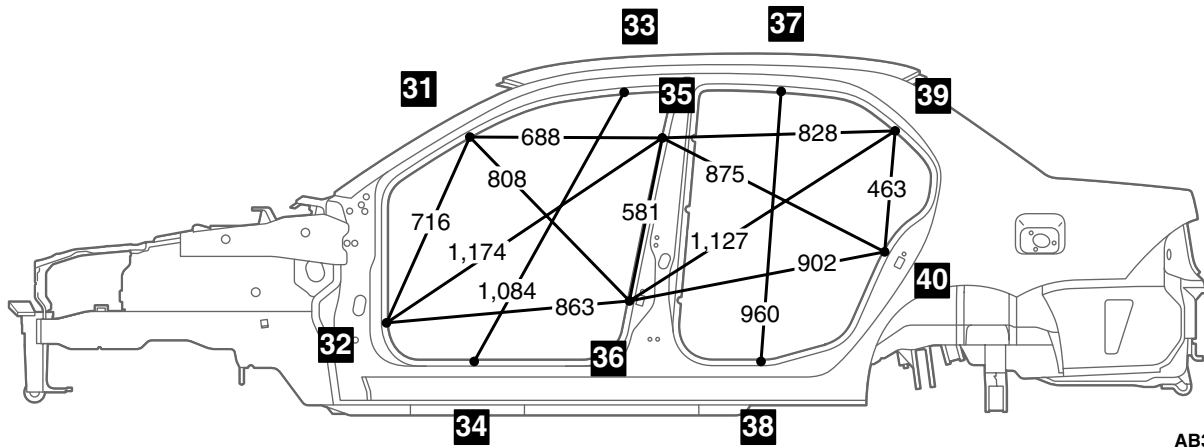
No.	Standard measurement point	Hole shape	Size mm
17	Centre of front bumper mounting hole	Round	6.6
18	Centre of front end upper bar water draining hole (Body centre point)	Round	8
19	Centre of harness mounting hole	Oblong	7 × 12
20	Centre of intercooler pipe mounting hole	Round	9
21	Centre of front fender mounting hole	Round	6.6
22	Centre of front strut mounting hole	Round	11.5
23	Front deck notch (Body centre point)	–	–
24	Centre of front fender mounting hole	Round	6.6
25	Centre of hood hinge mounting hole	Round	9
26	Corner of roof panel	–	–
27	Centre of front end crossmember outer positioning hole	Round	20
28	Centre of front bumper beam mounting hole	Round	10
29	Centre of headlamp mounting hole	Round	6.6
30	Centre of front end upper bar positioning hole (Body centre point)	Round	8



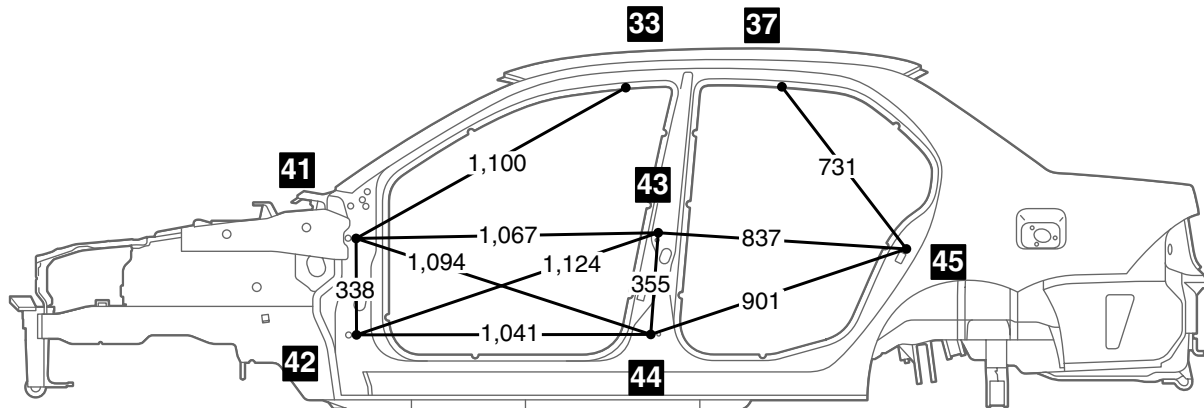
SIDE BODY <SEDAN>

M4020007000134

mm



AB300623AB

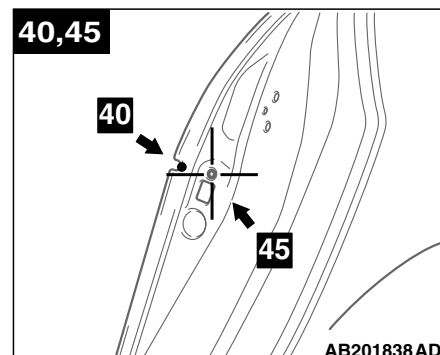
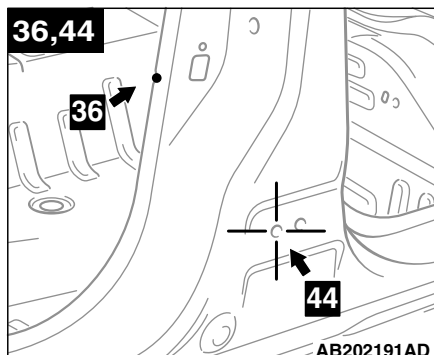
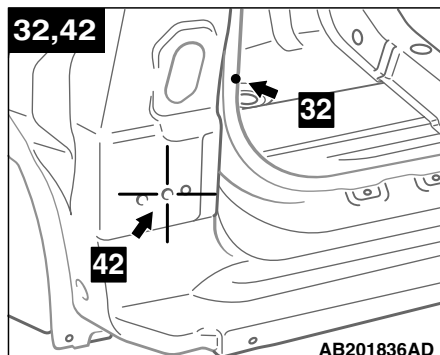


AB300622AB

No.	Standard measurement point	Hole shape	Size mm
31	Front pillar positioning notch (upper)	—	—
32	Front pillar positioning notch (lower)	—	—
33	Side roof rail positioning notch (front)	—	—
34	Side sill positioning notch (front)	—	—
35	Centre pillar positioning notch (upper)	—	—
36	Centre pillar positioning notch (lower)	—	—
37	Side roof rail positioning notch (rear)	—	—
38	Side sill positioning notch (rear)	—	—

**BODY DIMENSIONS
TYPE B (ACTUAL-MEASUREMENT DIMENSIONS)**

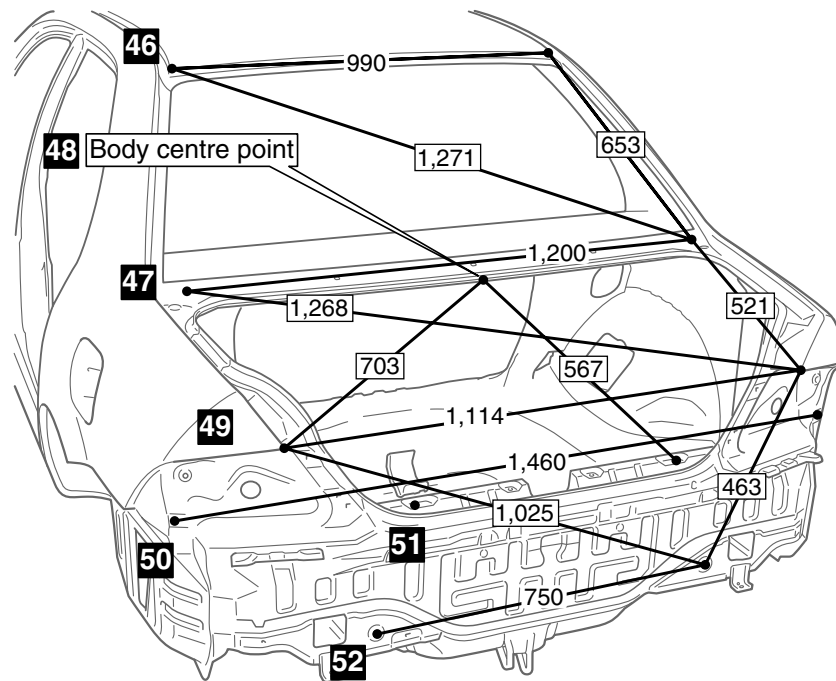
No.	Standard measurement point	Hole shape	Size mm
39	Quarter panel positioning notch (upper)	—	—
40	Quarter panel positioning notch (lower)	—	—
41	Centre of front door hinge mounting hole (upper)	Round	11
42	Centre of front door hinge mounting hole (lower)	Round	11
43	Centre of rear door hinge mounting hole (upper)	Round	11
44	Centre of rear door hinge mounting hole (lower)	Round	11
45	Centre of rear door switch mounting hole	Round	5



REAR BODY <SEDAN>

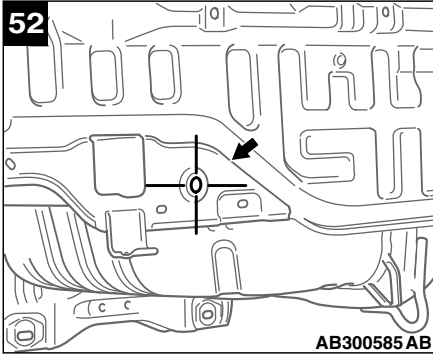
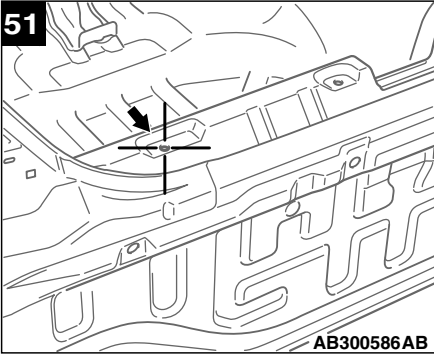
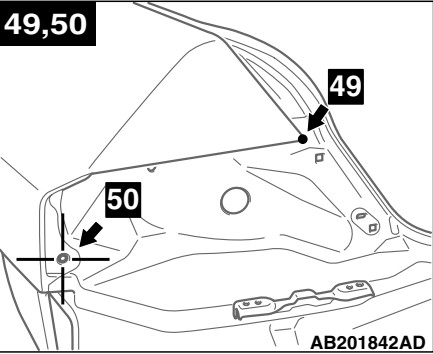
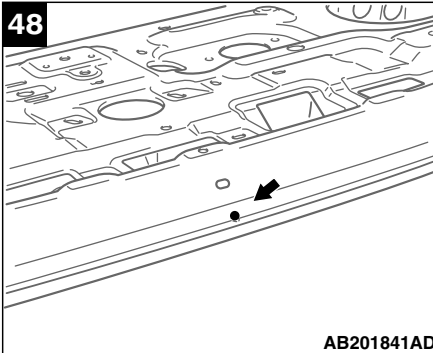
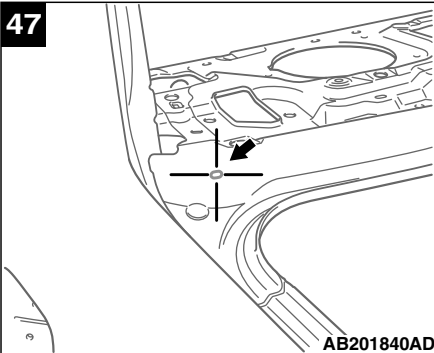
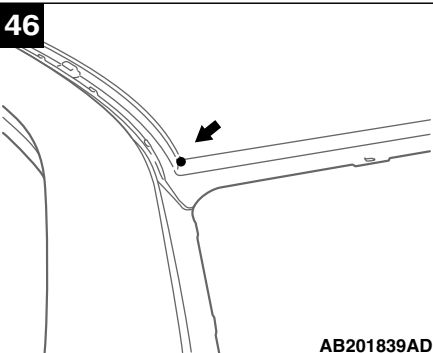
M4020008000148

mm



AB300587AB

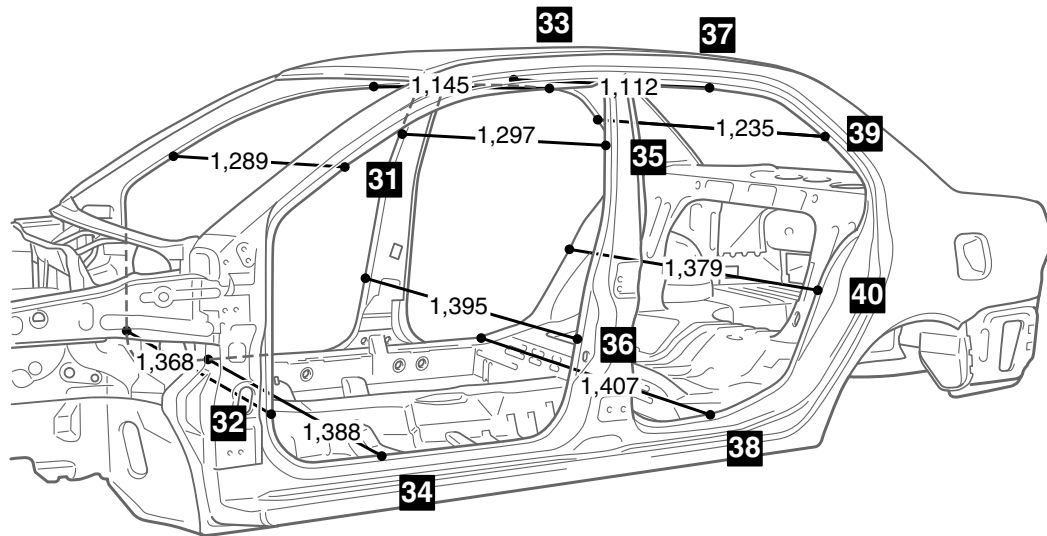
No.	Standard measurement point	Hole shape	Size mm
46	Coner of roof panel	–	–
47	Centre of rear glass moulding mounting hole	Oblong	7 × 11
48	Centre of rear shelf body	–	–
49	Corner of side outer panel	–	–
50	Centre of rear combination lamp mounting hole (lower)	Round	10
51	Centre of rear end trim mounting hole	Round	8.5
52	Centre of rear end panel positioning hole	Round	16



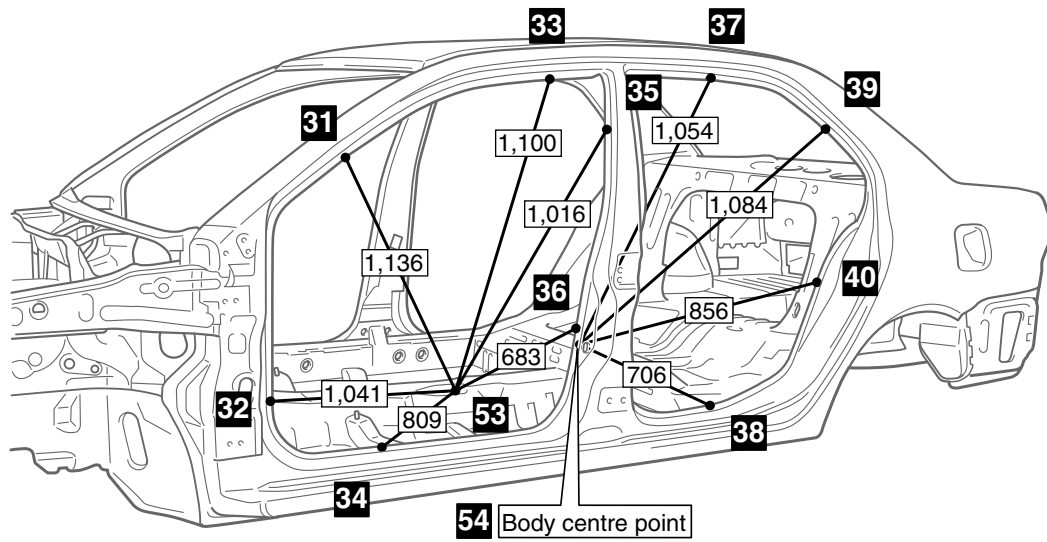
INTERIOR <SEDAN>

M4020009000141

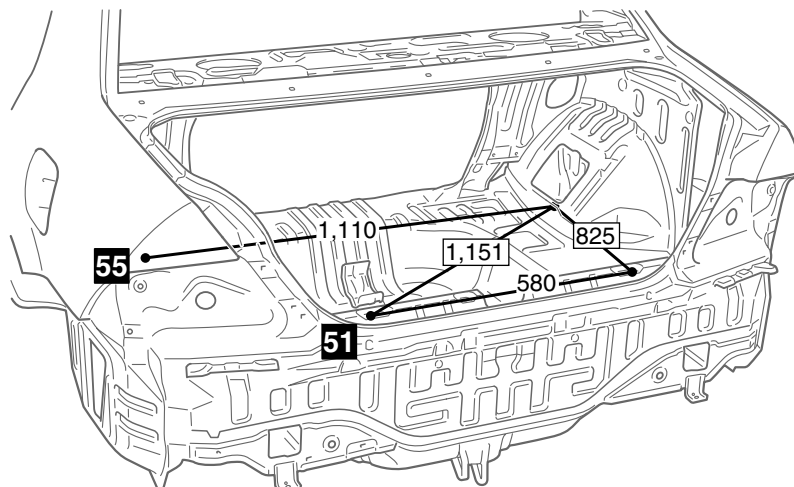
mm



AB300628AB

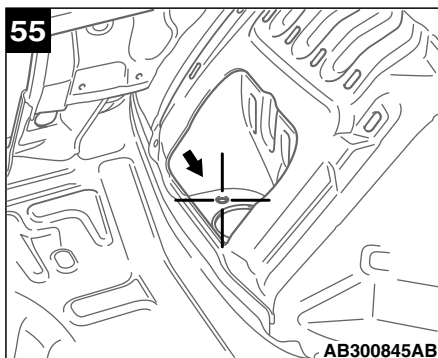
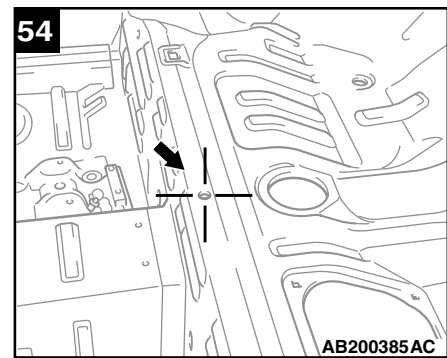
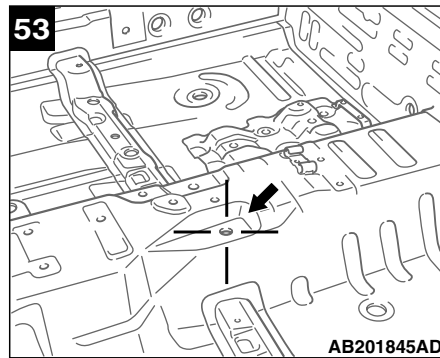
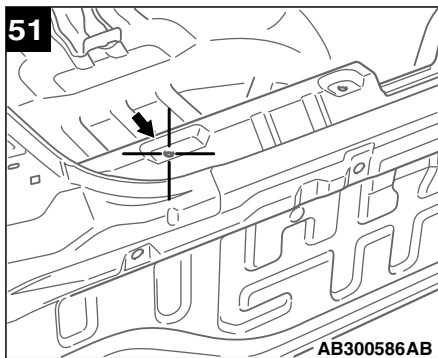


AB300629AB



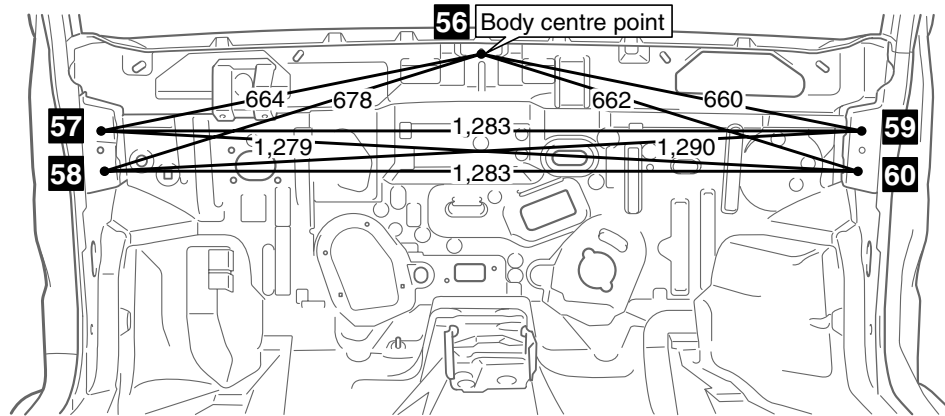
AB300588AB

No.	Standard measurement point	Hole shape	Size mm
31	Front pillar positioning notch (upper)	—	—
32	Front pillar positioning notch (lower)	—	—
33	Side roof rail positioning notch (front)	—	—
34	Side sill positioning notch (front)	—	—
35	Centre pillar positioning notch (upper)	—	—
36	Centre pillar positioning notch (lower)	—	—
37	Side roof rail positioning notch (rear)	—	—
38	Side sill positioning notch (rear)	—	—
39	Quarter panel positioning notch (upper)	—	—
40	Quarter panel positioning notch (lower)	—	—
51	Centre of rear end trim mounting hole	Round	8.5
53	Centre of front seat rail mounting hole	Round	14
54	Centre of floor carpet mounting hole (Body centre point)	Round	6
55	Centre of rear shock absorber mounting hole	Round	12



BODY DIMENSIONS
TYPE B (ACTUAL-MEASUREMENT DIMENSIONS)

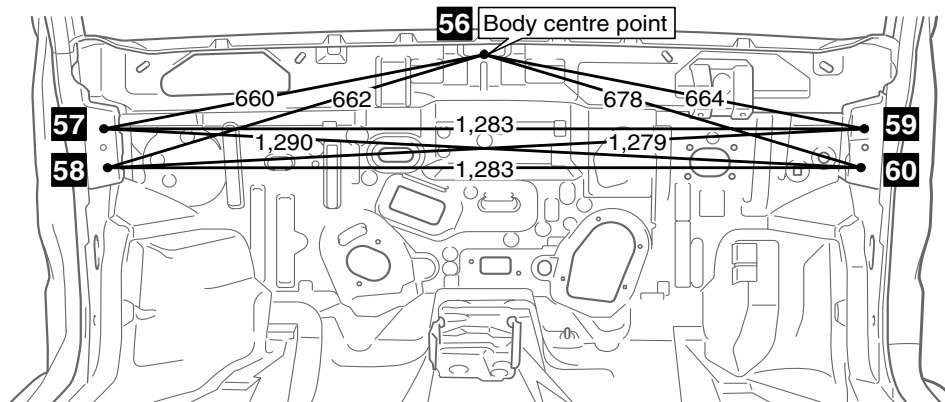
<L.H. drive vehicles>



mm

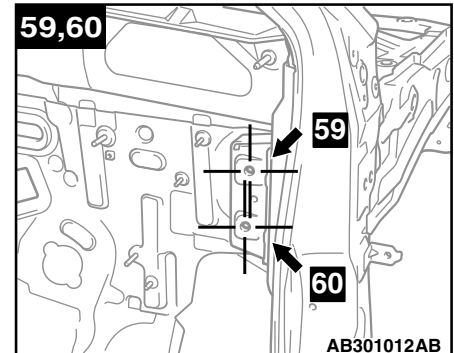
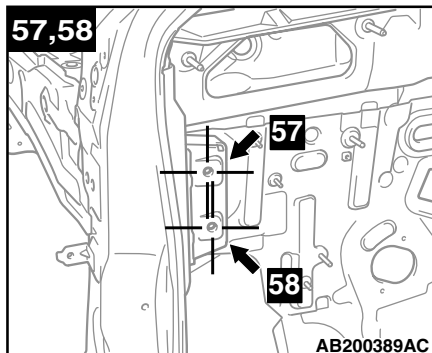
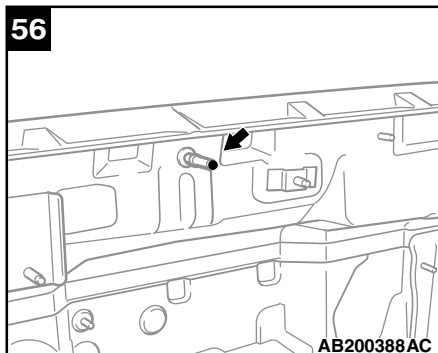
AB301011AB

<R.H. drive vehicles>



AB301010AB

No.	Standard measurement point	Hole shape	Size mm
56	Instrument panel bracket centre tip (Body centre point)	—	—
57	Centre of deck crossmember mounting hole (upper)	Round	11
58	Centre of deck crossmember mounting hole (lower)	Round	11
59	Centre of deck crossmember mounting hole (upper)	Round	11
60	Centre of deck crossmember mounting hole (lower)	Round	11

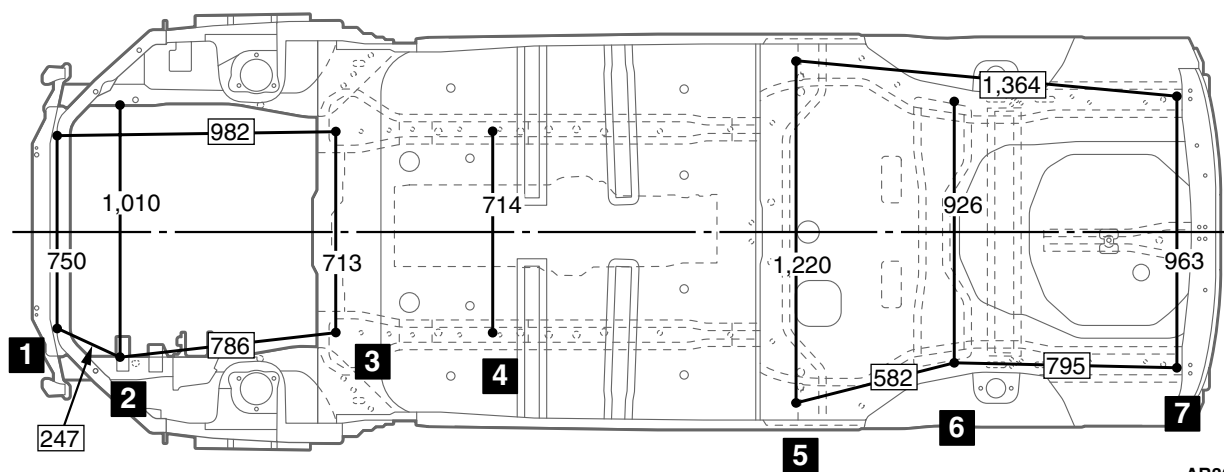


TYPE A (PROJECTED DIMENSIONS)

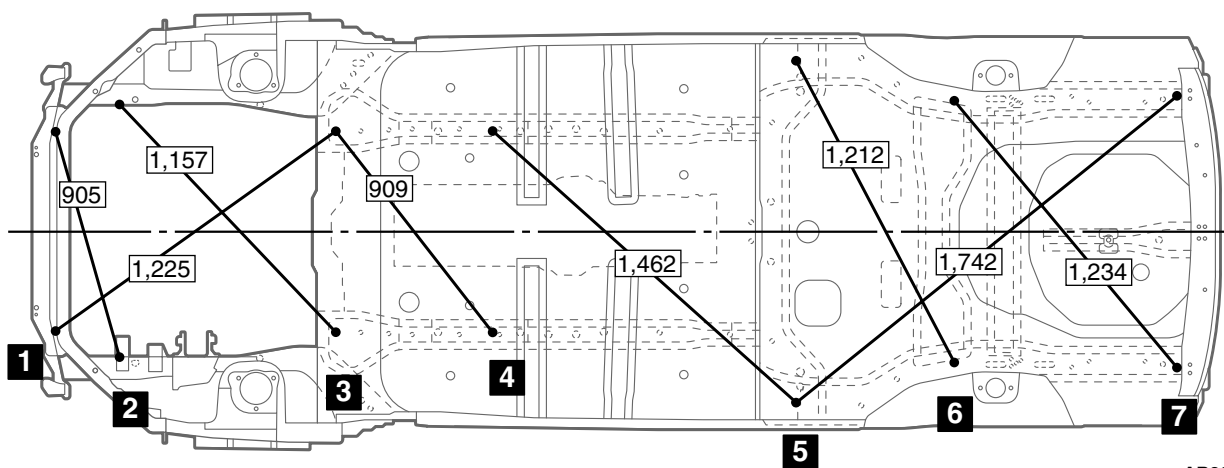
UNDER BODY <WAGON>

M4020005000310

mm



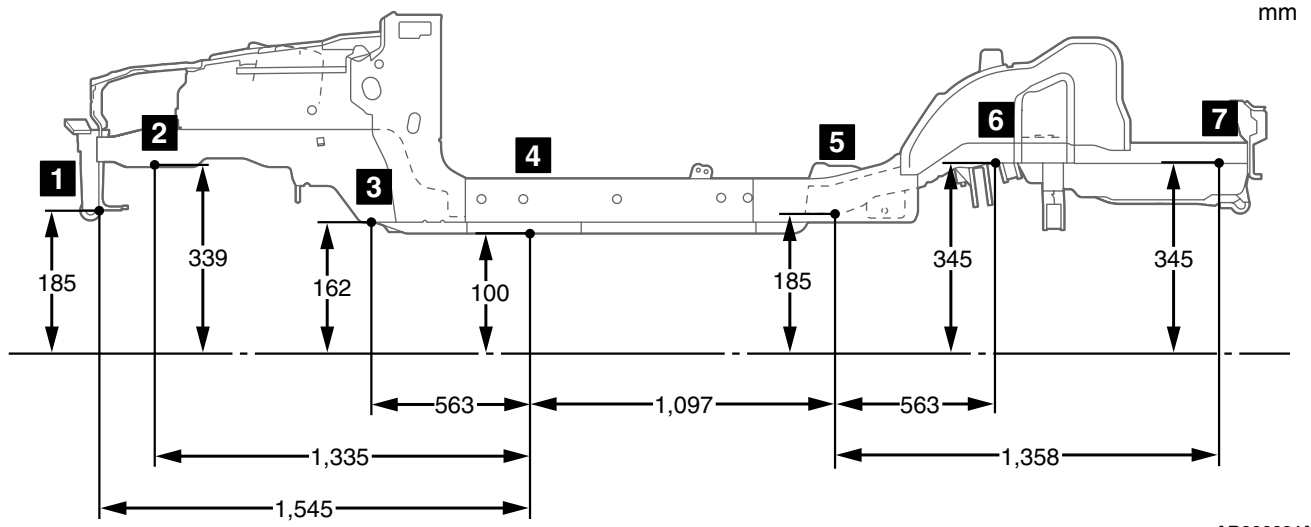
AB300574AB



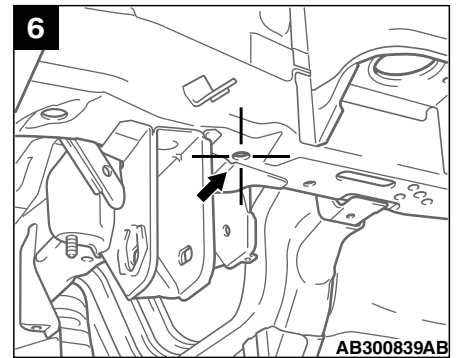
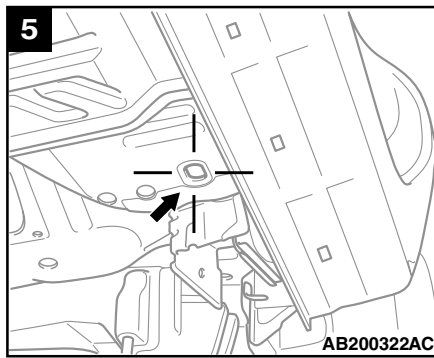
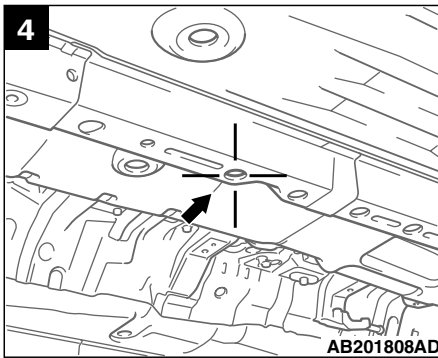
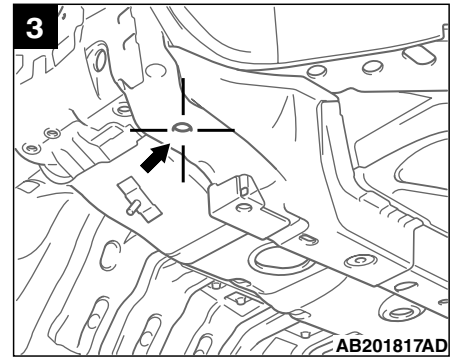
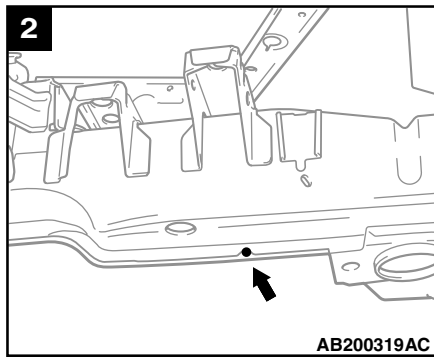
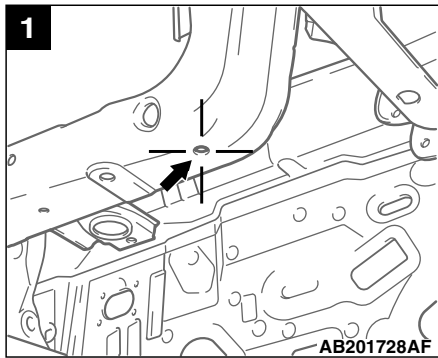
AB300575AB

No.	Standard measurement point	Hole shape	Size mm
1*	Centre of under cover mounting hole	Round	8
2	Front sidemember inner notch	—	—
3*	Centre of front crossmember mounting hole	Round	18
4*	Centre of front floor sidemember positioning hole	Round	25
5*	Centre of rear seat crossmember side water draining hole	Oblong	22 × 38
6	Centre of rear floor sidemember water draining hole	Round	16
7*	Centre of trailer bar mounting hole	Round	15

NOTE: The * mark indicates the mounting position for the frame centering gauge.



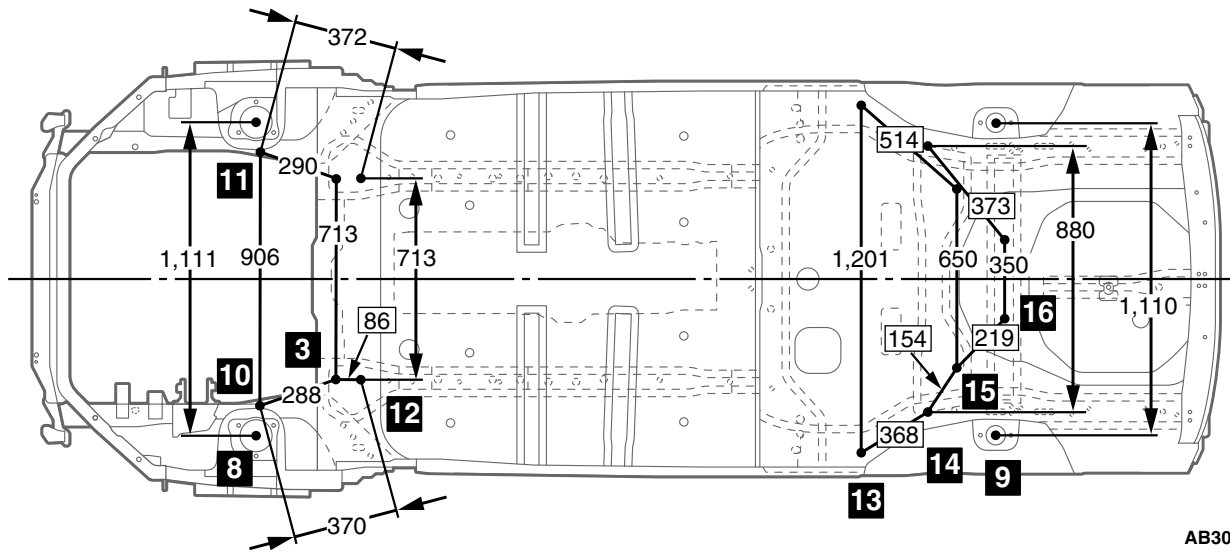
AB300621AB



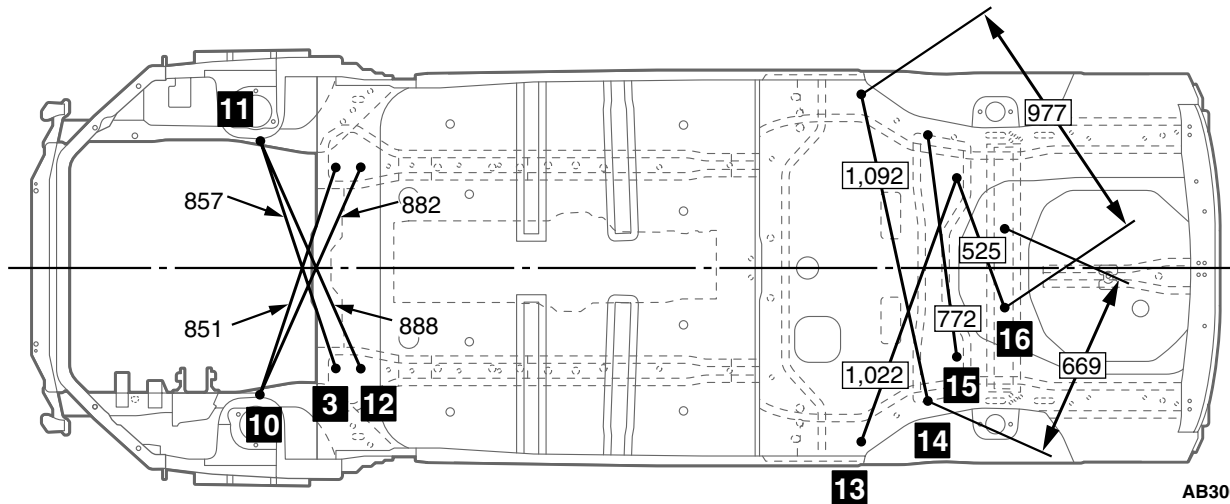
**SUSPENSION INSTALLATION
DIMENSIONS <WAGON>**

M4020013000304

mm

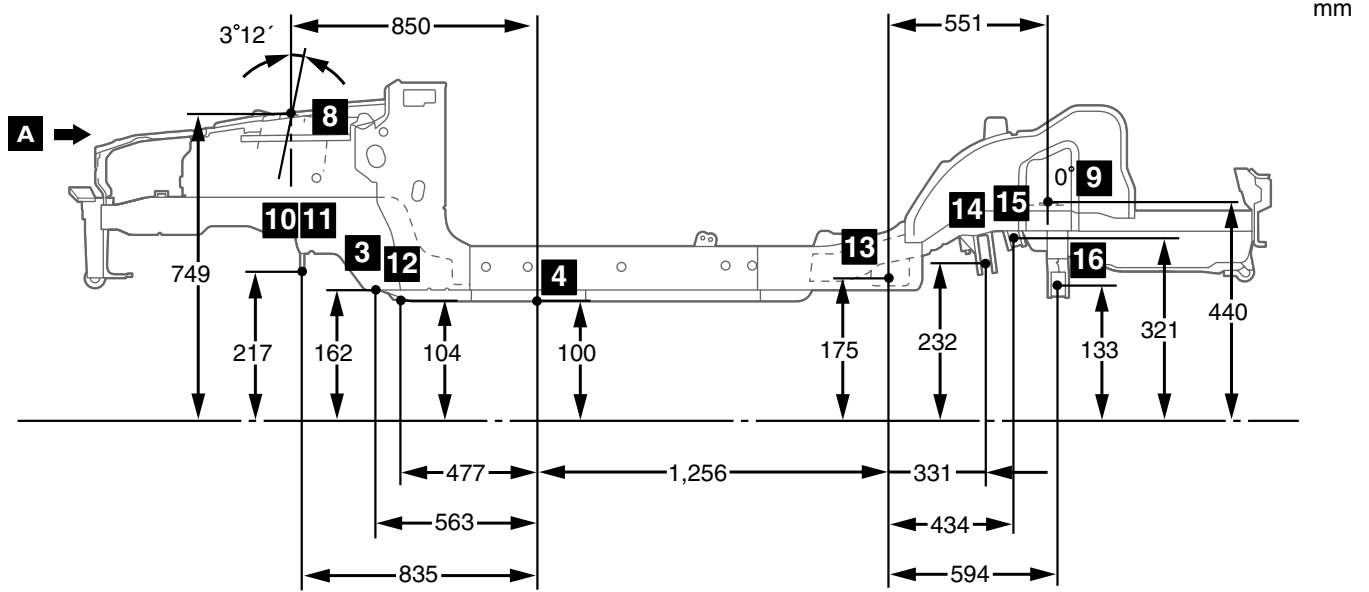
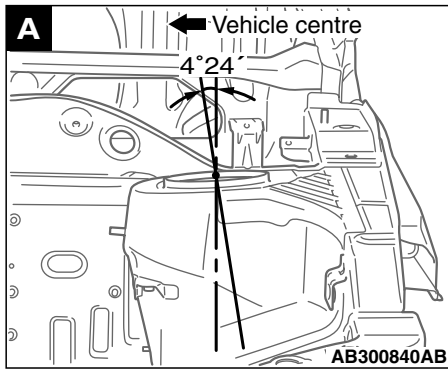


AB300576 AB

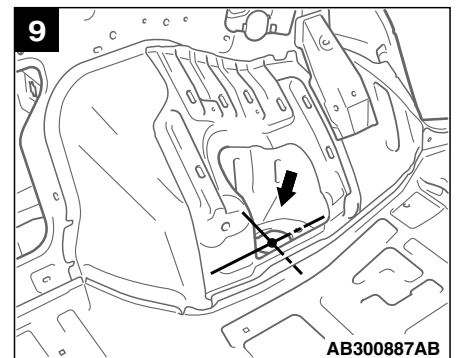
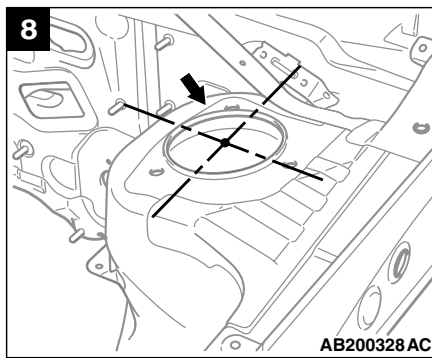
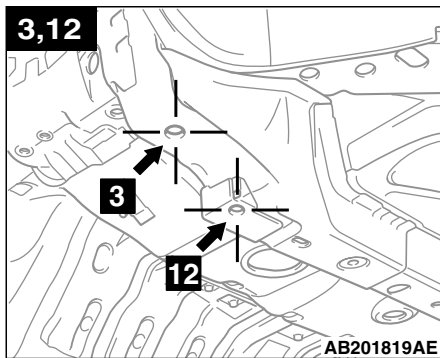


AB300577 AB

No.	Standard measurement point	Hole shape	Size mm
3	Centre of front crossmember mounting hole	Round	18
4	Centre of front floor sidemember positioning hole	Round	25
8	Centre of front shock absorber mounting hole	Round	114
9	Centre of rear shock absorber mounting hole	Round	64
10	Tip of crossmember mounting bolt (left)	—	—
11	Tip of front crossmember mounting bolt (right)	—	—
12	Centre of front crossmember mounting hole	Round	11
13	Centre of trailing arm mounting position	—	—
14	Centre of control link mounting hole	—	—
15	Centre of upper arm mounting position	—	—
16	Centre of lower arm mounting position	—	—



AB300620AB

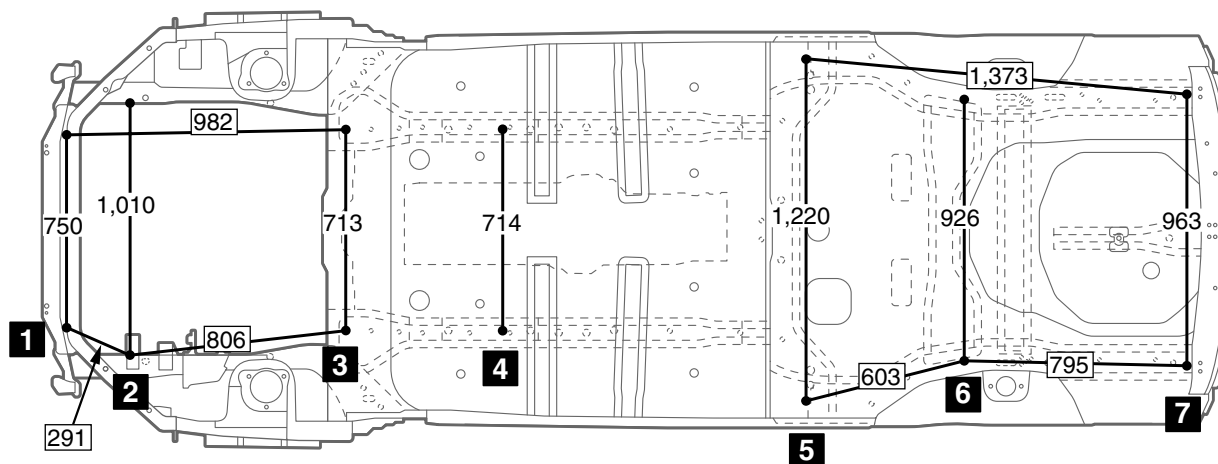


TYPE B (ACTUAL-MEASUREMENT DIMENSIONS)

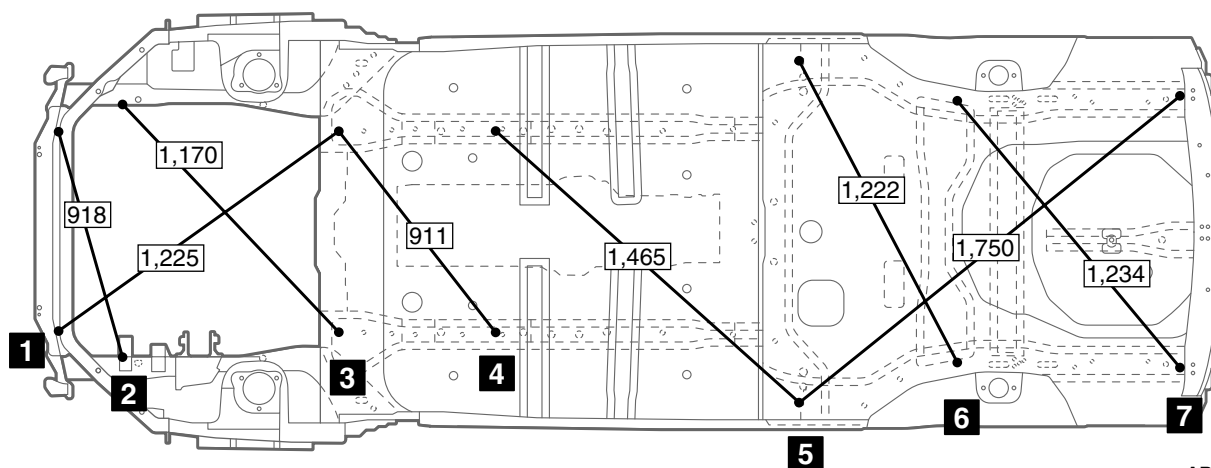
UNDER BODY <WAGON>

M4020005000321

mm

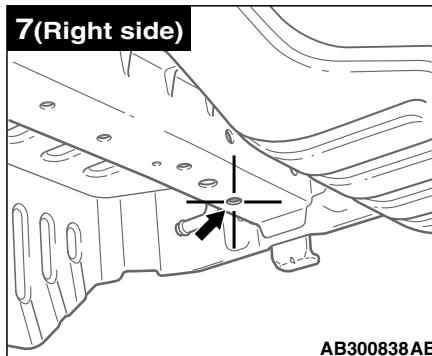
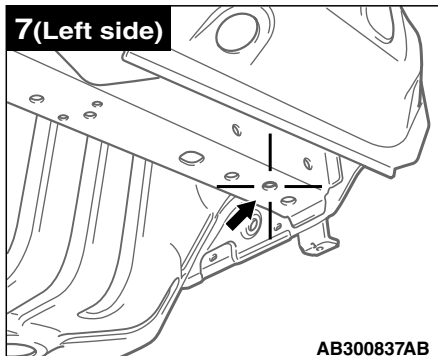
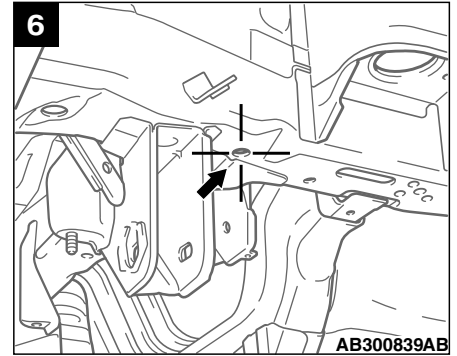
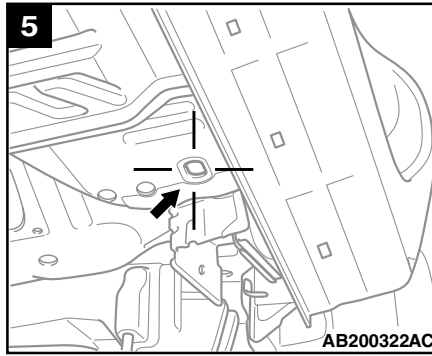
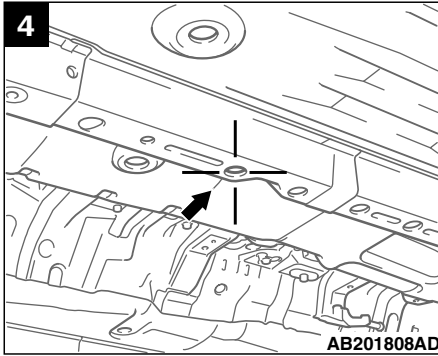
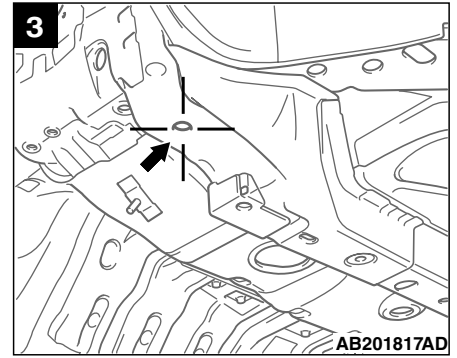
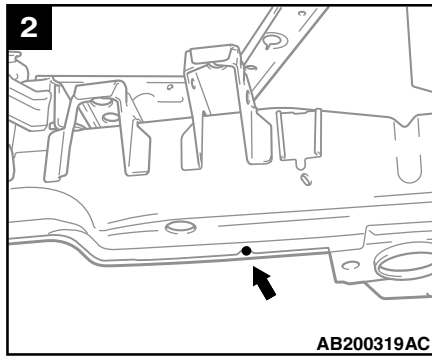
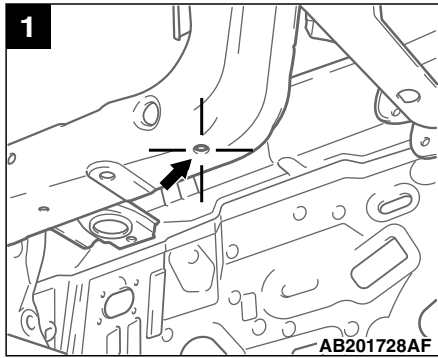


AB300578AB



AB300579AB

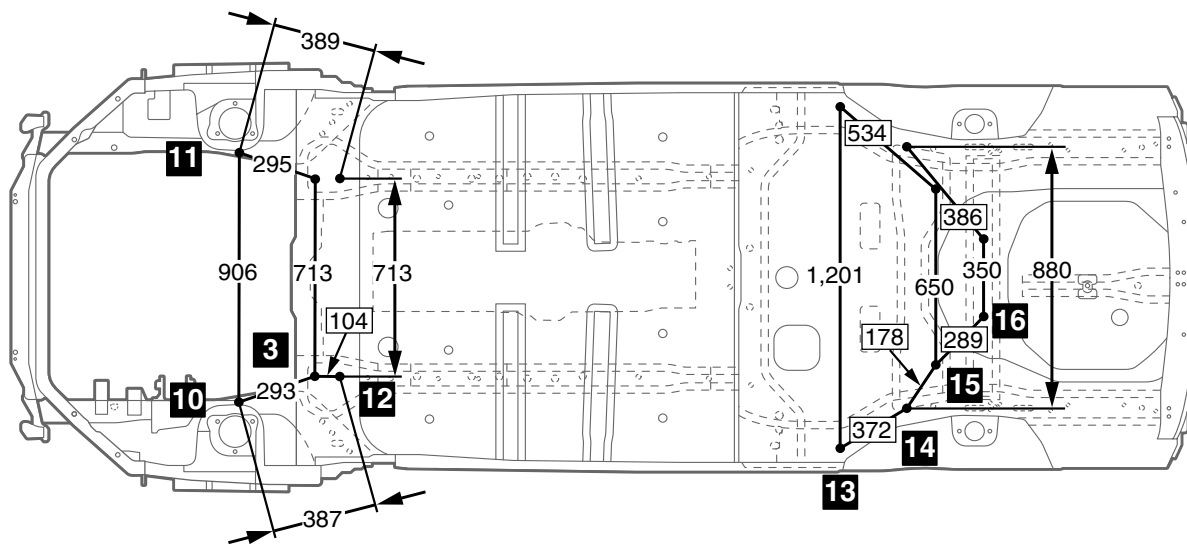
No.	Standard measurement point	Hole shape	Size mm
1	Centre of under cover mounting hole	Round	8
2	Front sidemember inner notch	—	—
3	Centre of front crossmember mounting hole	Round	18
4	Centre of front floor sidemember positioning hole	Round	25
5	Centre of rear seat crossmember side water draining hole	Oblong	22 × 38
6	Centre of rear floor sidemember water draining hole	Round	16
7	Centre of trailer bar mounting hole	Round	15



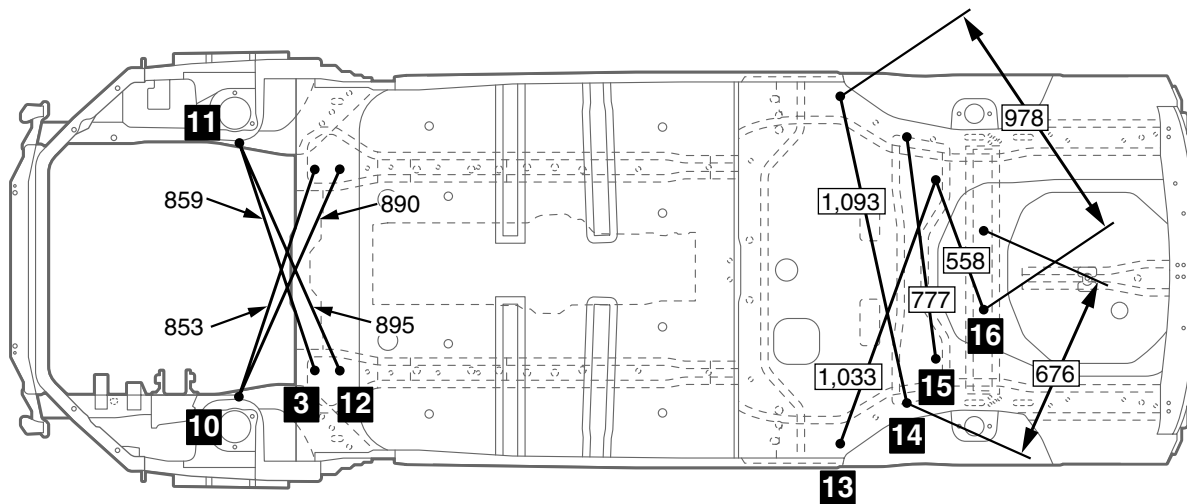
**SUSPENSION INSTALLATION
DIMENSIONS <WAGON>**

M4020013000315

mm

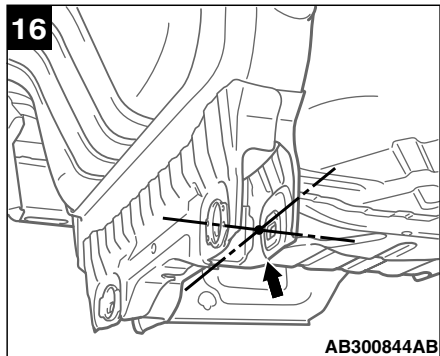
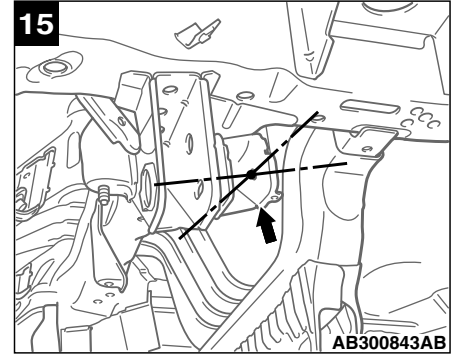
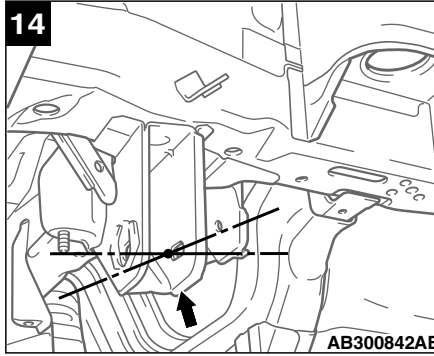
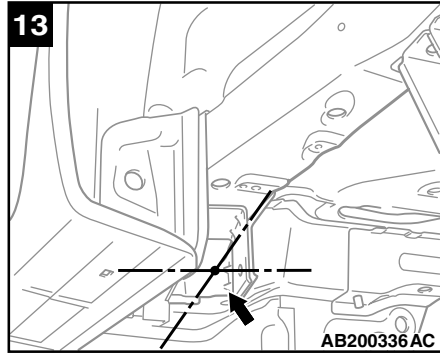
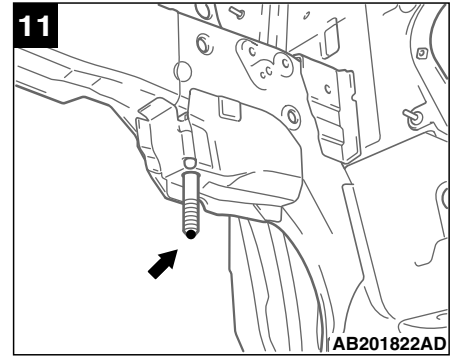
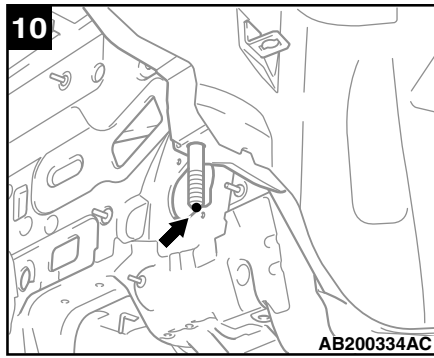
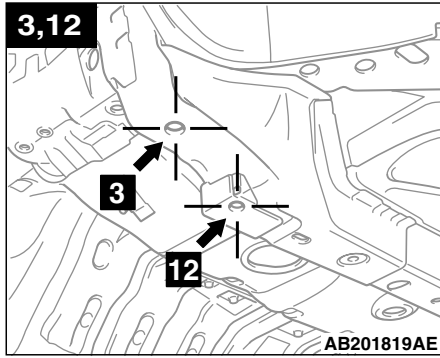


AB300580AB



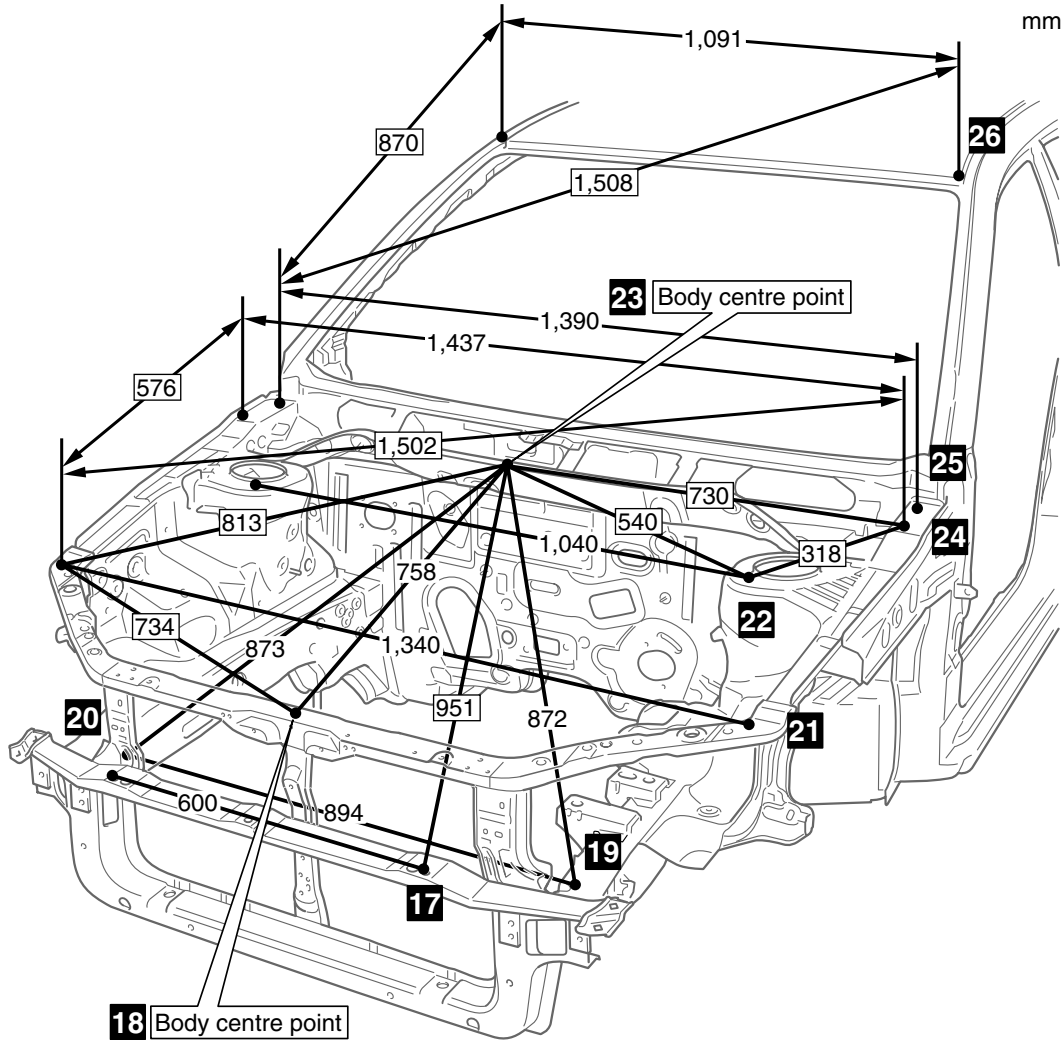
AB300581AB

No.	Standard measurement point	Hole shape	Size mm
3	Centre of front crossmember mounting hole	Round	18
10	Tip of front crossmember mounting bolt (left)	—	—
11	Tip of front crossmember mounting bolt (right)	—	—
12	Centre of front crossmember mounting hole	Round	11
13	Centre of trailing arm mounting position	Round	11
14	Centre of control link mounting position	—	—
15	Centre of upper arm mounting position	—	—
16	Centre of lower arm mounting position	—	—

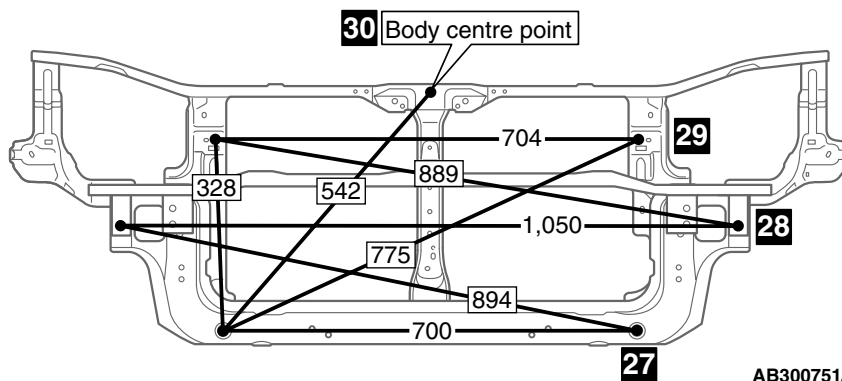


FRONT BODY <WAGON>

M4020006000153

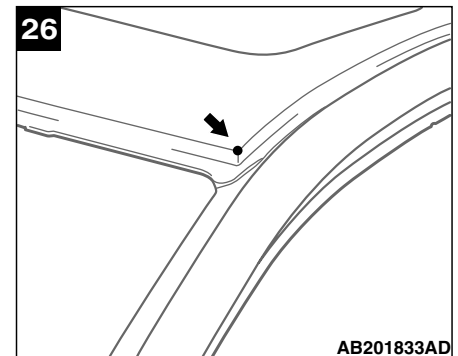
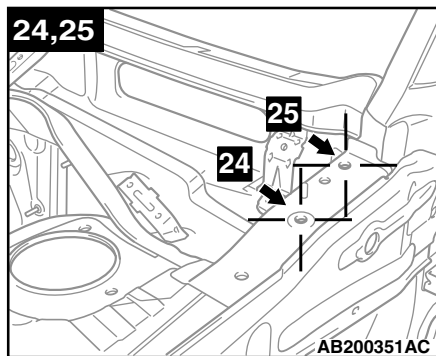
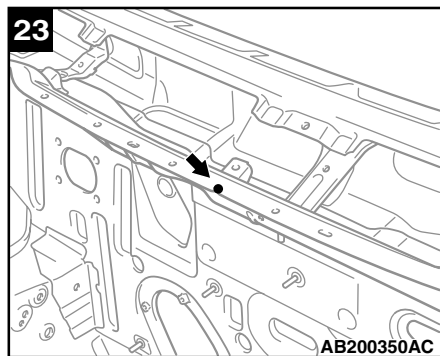
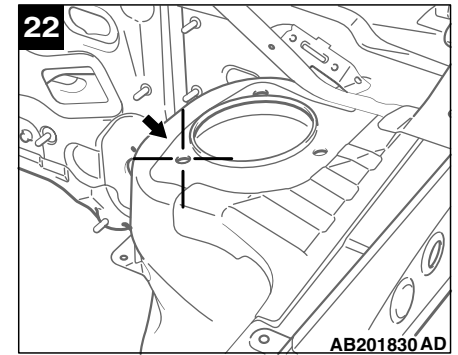
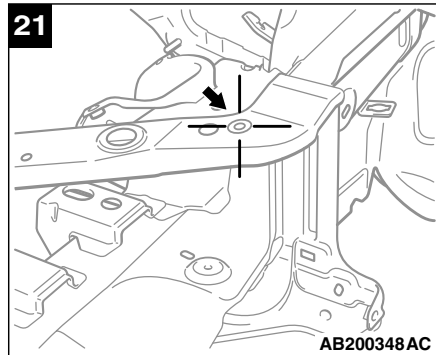
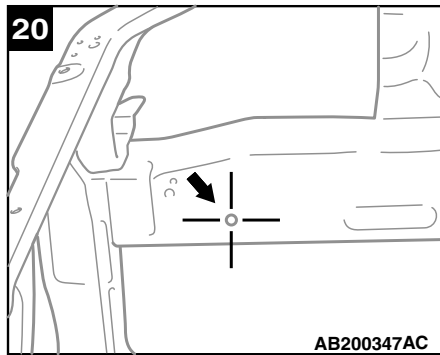
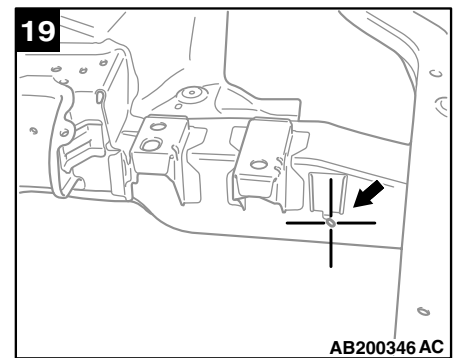
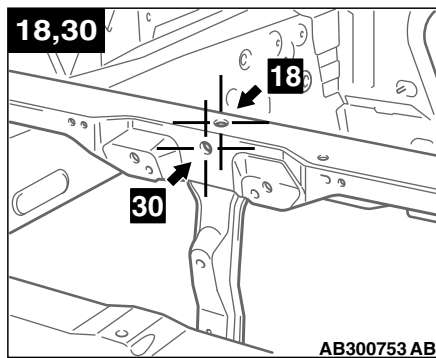
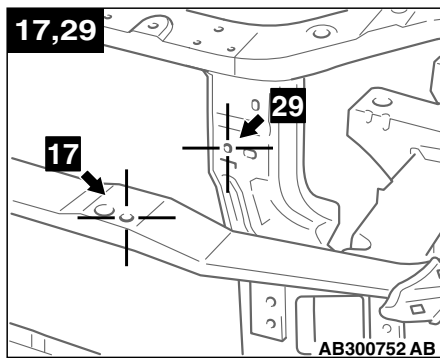


AB300750AB



AB300751AB

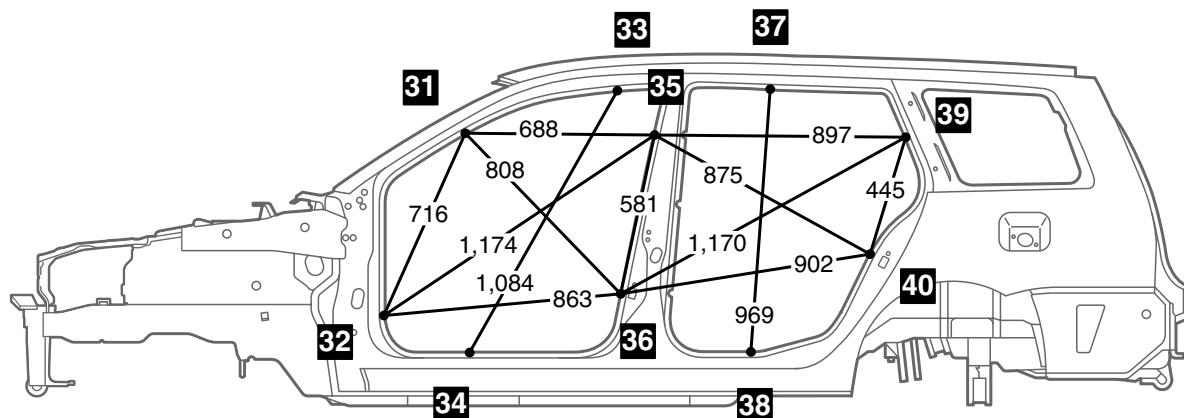
No.	Standard measurement point	Hole shape	Size mm
17	Centre of front bumper mounting hole	Round	6.6
18	Centre of front end upper bar water draining hole (Body centre point)	Round	8
19	Centre of harness mounting hole	Oblong	7 × 12
20	Centre of intercooler pipe mounting hole	Round	9
21	Centre of front fender mounting hole	Round	6.6
22	Centre of front strut mounting hole	Round	11.5
23	Front deck notch (Body centre point)	–	–
24	Centre of front fender mounting hole	Round	6.6
25	Centre of hood hinge mounting hole	Round	9
26	Corner of roof panel	–	–
27	Centre of front end cross-member outer positioning hole	Round	20
28	Centre of front bumper beam mounting hole	Round	10
29	Centre of headlamp mounting hole	Round	6.6
30	Centre of front end upper bar positioning hole (Body centre point)	Round	8



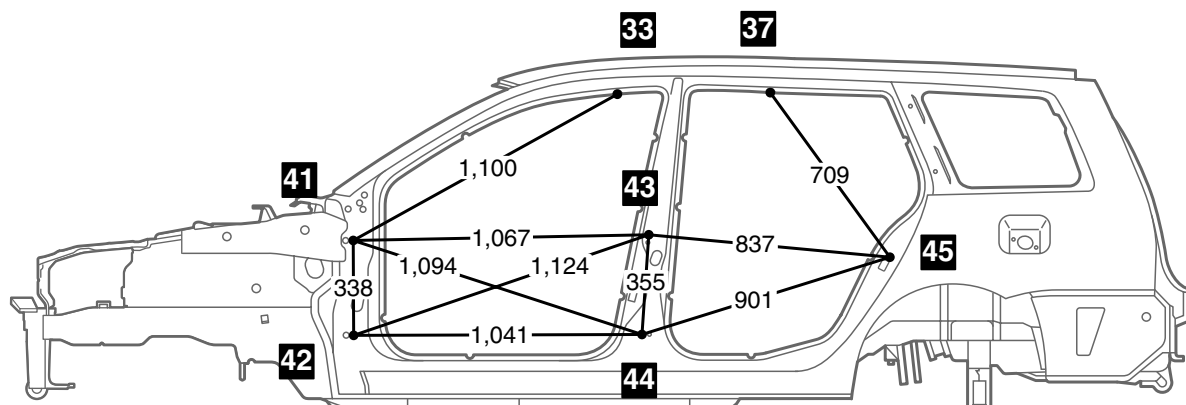
SIDE BODY <WAGON>

M4020007000156

mm



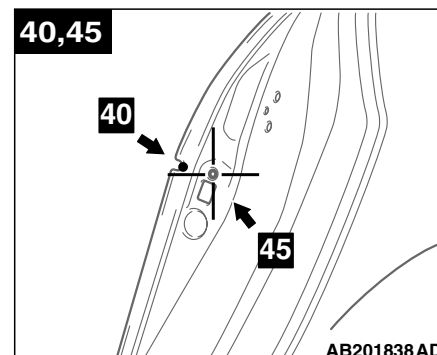
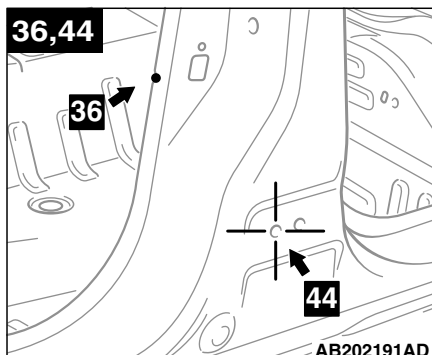
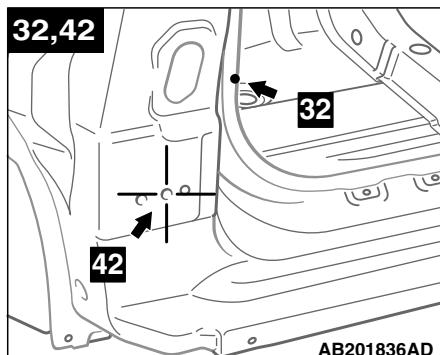
AB300625AB



AB300624AB

No.	Standard measurement point	Hole shape	Size mm
31	Front pillar positioning notch (upper)	—	—
32	Front pillar positioning notch (lower)	—	—
33	Side roof rail positioning notch (front)	—	—
34	Side sill positioning notch (front)	—	—
35	Centre pillar positioning notch (upper)	—	—
36	Centre pillar positioning notch (lower)	—	—
37	Side roof rail positioning notch (rear)	—	—
38	Side sill positioning notch (rear)	—	—

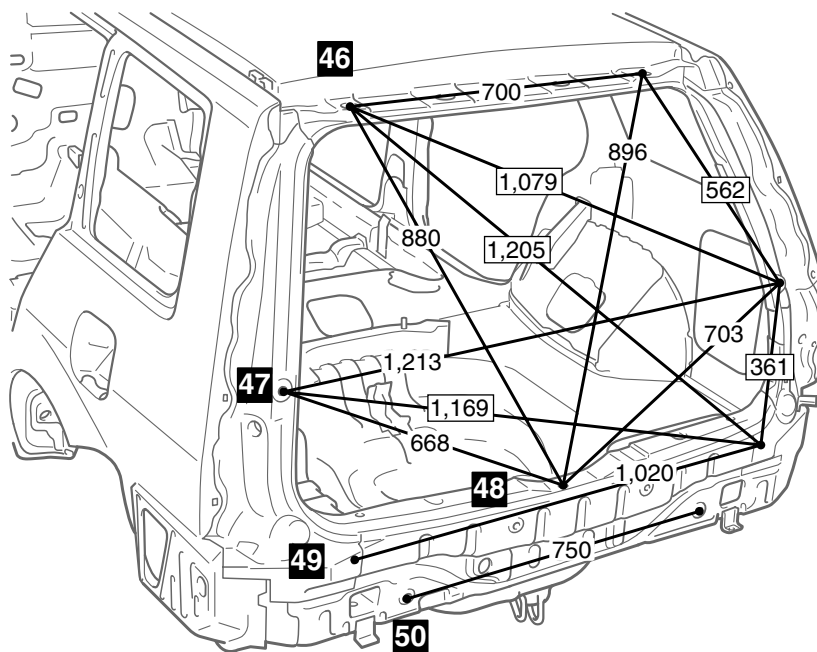
No.	Standard measurement point	Hole shape	Size mm
39	Quarter panel positioning notch (upper)	–	–
40	Quarter panel positioning notch (lower)	–	–
41	Centre of front door hinge mounting hole (upper)	Round	11
42	Centre of front door hinge mounting hole (lower)	Round	11
43	Centre of rear door hinge mounting hole (upper)	Round	11
44	Centre of rear door hinge mounting hole (lower)	Round	11
45	Centre of rear door switch mounting hole	Round	5



REAR BODY <WAGON>

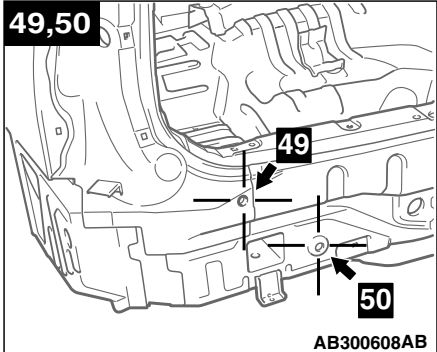
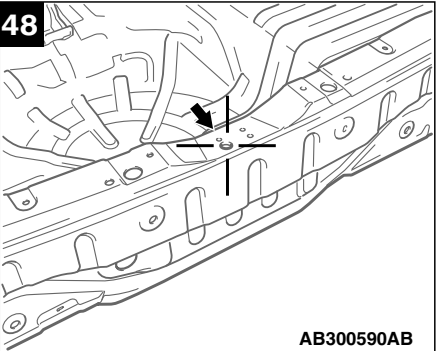
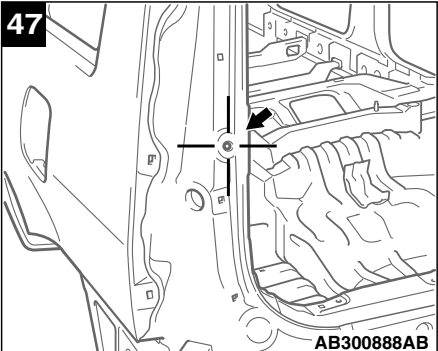
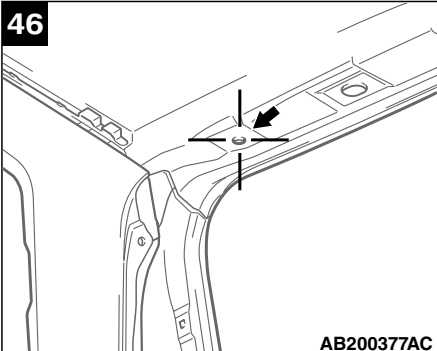
M4020008000160

mm



AB300589AB

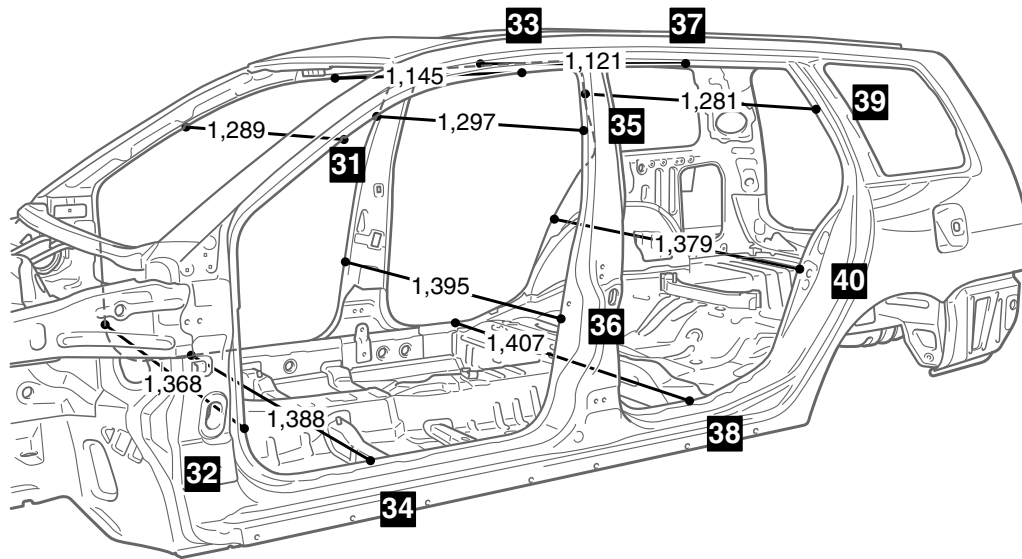
No.	Standard measurement point	Hole shape	Size mm
46	Centre of tailgate hinge mounting hole	Round	12
47	Centre of tailgate gas spring mounting hole	Round	11
48	Centre of tailgate striker mounting hole	Round	13
49	Centre of rear bumper mounting hole	Oblong	11 × 12
50	Centre of rear end crossmember positioning hole	Round	16



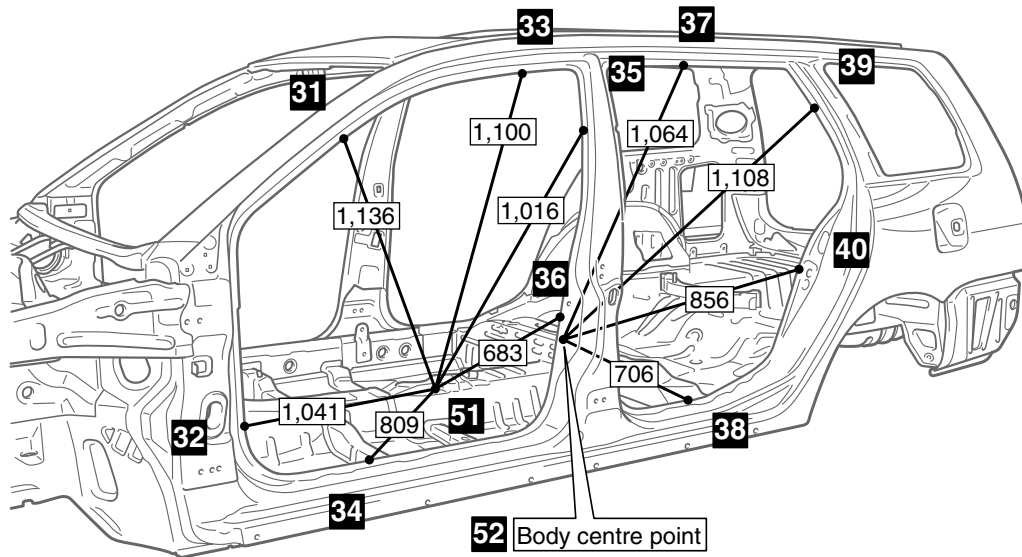
INTERIOR <WAGON>

M4020009000163

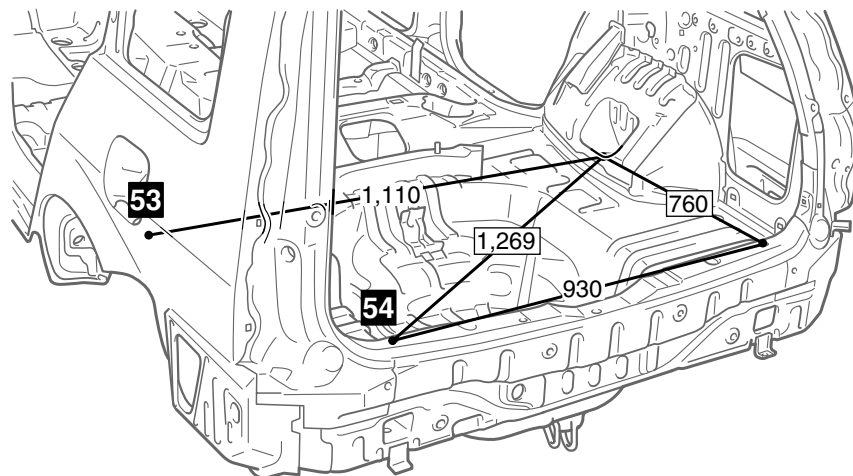
mm



AB300630AB

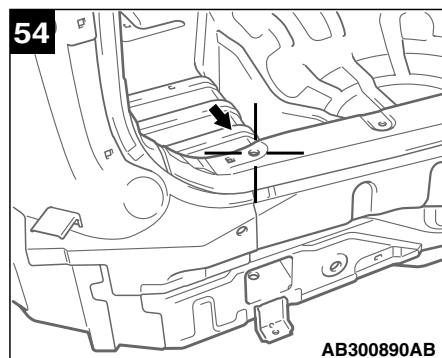
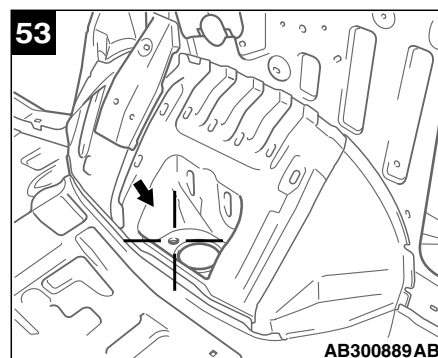
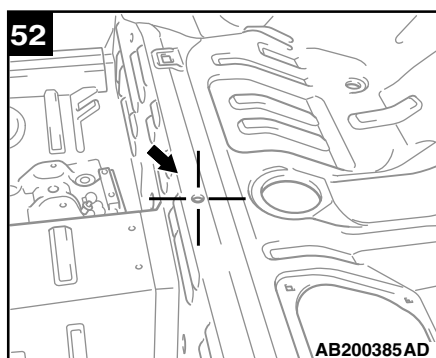
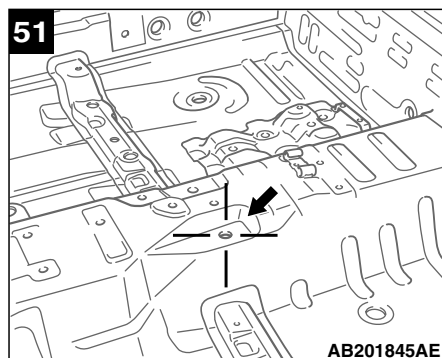


AB300631AB

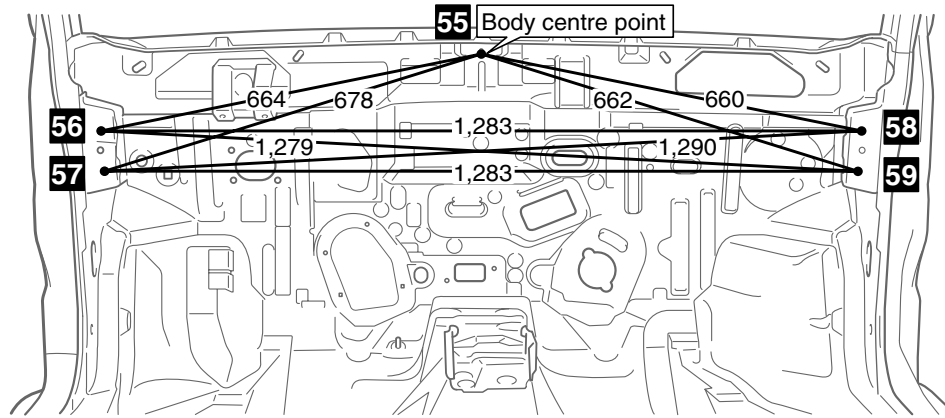


AB300609AB

No.	Standard measurement point	Hole shape	Size mm
31	Front pillar positioning notch (upper)	—	—
32	Front pillar positioning notch (lower)	—	—
33	Side roof rail positioning notch (front)	—	—
34	Side sill positioning notch (front)	—	—
35	Centre pillar positioning notch (upper)	—	—
36	Centre pillar positioning notch (lower)	—	—
37	Side roof rail positioning notch (rear)	—	—
38	Side sill positioning notch (rear)	—	—
39	Quarter panel positioning notch (upper)	—	—
40	Quarter panel positioning notch (lower)	—	—
51	Centre of front seat rail mounting hole	Round	14
52	Centre of floor carpet mounting hole (Body centre point)	Round	6
53	Centre of rear shock absorber mounting hole	Round	12
54	Centre of rear end trim mounting hole	Round	8.5



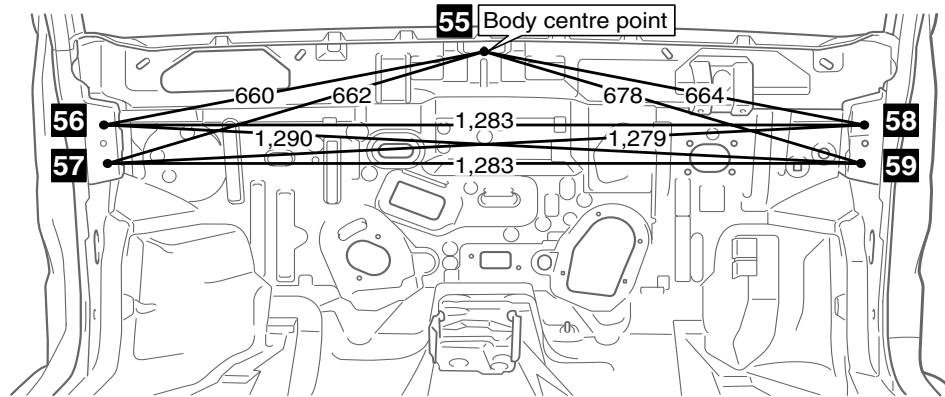
<L.H. drive vehicles>



mm

AB301011AC

<R.H. drive vehicles>



AB301010AC

No.	Standard measurement point	Hole shape	Size mm
55	Instrument panel bracket centre tip (Body centre point)	–	–
56	Centre of deck crossmember mounting hole (upper)	Round	11
57	Centre of deck crossmember mounting hole (lower)	Round	11
58	Centre of deck crossmember mounting hole (upper)	Round	11
59	Centre of deck crossmember mounting hole (lower)	Round	11

